

SEE THE M

M
SERIES

2.3

2.9

3.4



M SERIES LAUNCH

Absen
LED

M-SERIES OVERVIEW: DESIGN & FEATURE

Made for Mobile

Magnesium Alloy Frame • Power & Data Core • Universal Smart Modules

Ergonomic Design

Patented 'One Action' Locks • Integrated Curves • Alignment Pins

Complete Touring Solution

Flight Cases • Ground Support & Hanging Bars • Touring Cart

Perfect Picture

Superior SMDs • Contrast • Refresh Rates • Grayscale • Absen Affinity

Further Details

Neutrik Cables • Certifications

Absen M vs. the rest of them

Absen M • Absen A2Pro • ROE Black Onyx • Unilumin Upad III



MADE FOR MOBILE

Magnesium Alloy Frame · Power & Data Core · Universal Smart Modules



PLUG-N-PLAY 3 PIECE MODULAR DESIGN

Magnesium alloy frame, smart modules and power / data core



- Fast installation
- Quick on the fly maintenance
- Simple spare part management

MAGNESIUM ALLOY FRAME

ERGONOMIC, RELIABLE & LIGHTWEIGHT



Super-lightweight: 7.6 kg / 16.8 lb

- 24% Lighter than traditional panels
- Easier to handle, **preventing damage of SMDs**
- Faster install and dismantle
- Lower screen load and gain transport efficiency

CNC machined die-cast magnesium alloy

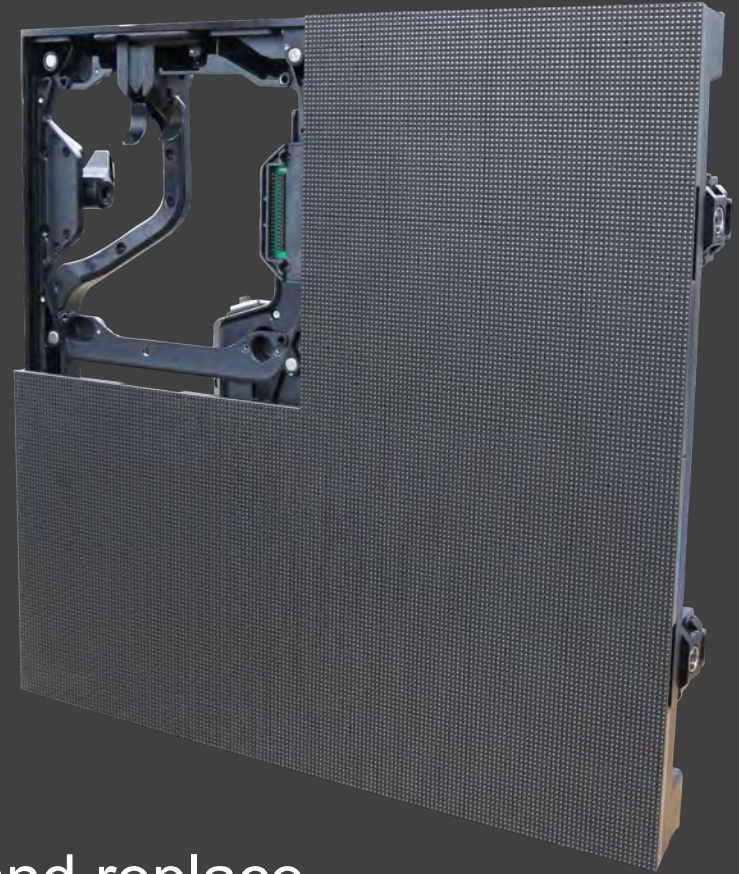
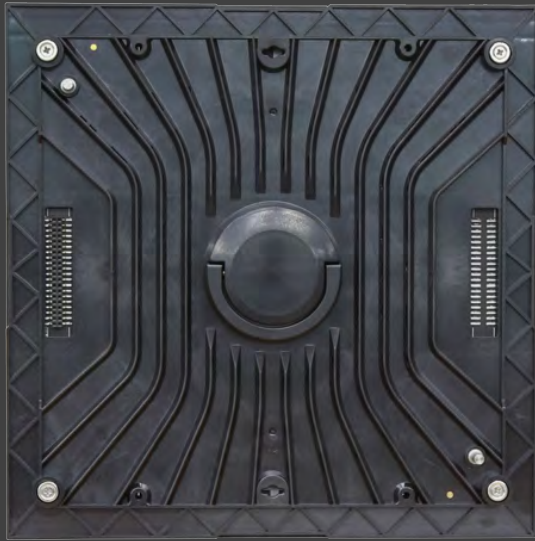
- **CNC machined** to extreme tolerances
 - Stronger and lighter than aluminum
- **Accuracy (0.05mm)**
 - eliminates dark and light lines between panels
- **Factory CMM** (Coordinate Measuring Machine)
 - Superior tests for quality control

PLUG-N-PLAY CORE



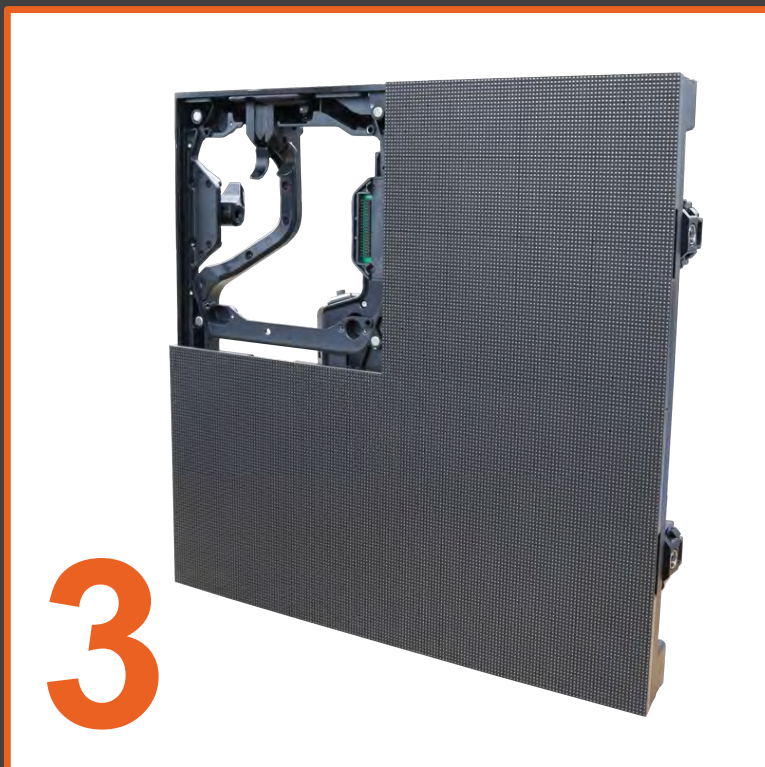
- Power and data housed in a swappable single unit
- **Easy rear service - replace in seconds without tools!**
- Front service capable but must remove modules

SMART UNIVERSAL MAGNETIC MODULES

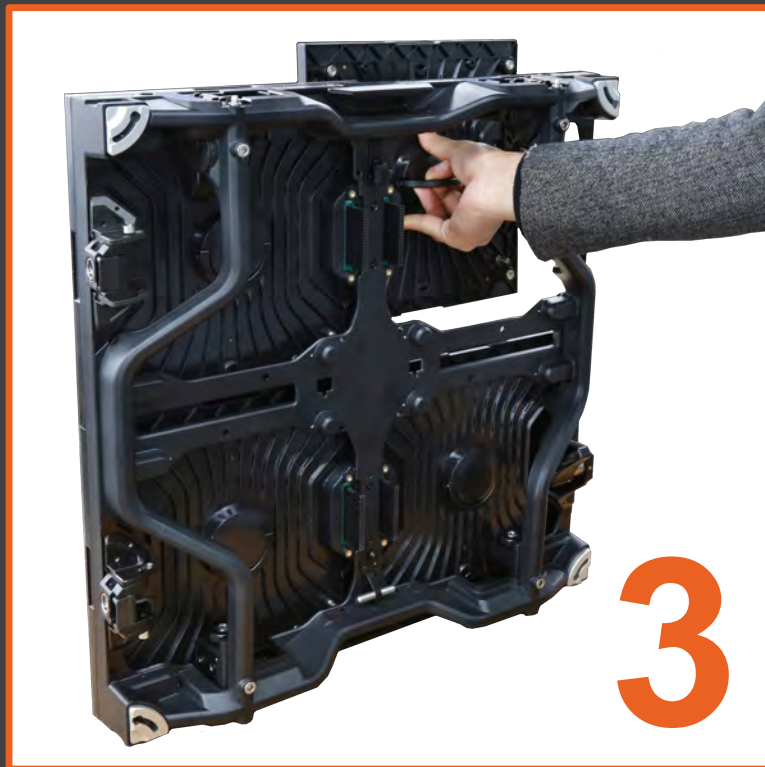


- Magnetic
 - Quick to insert, remove and replace
- Universal
 - Fit all four panel quadrants
 - Fewer parts to bring to shows
 - Easy spare part management
- Smart
 - Configuration and color calibration onboard

FRONT SERVICEABLE



REAR SERVICEABLE





ERGONOMIC DESIGN

· Patented 'One Action' Locks · Integrated Curves · Alignment Pins

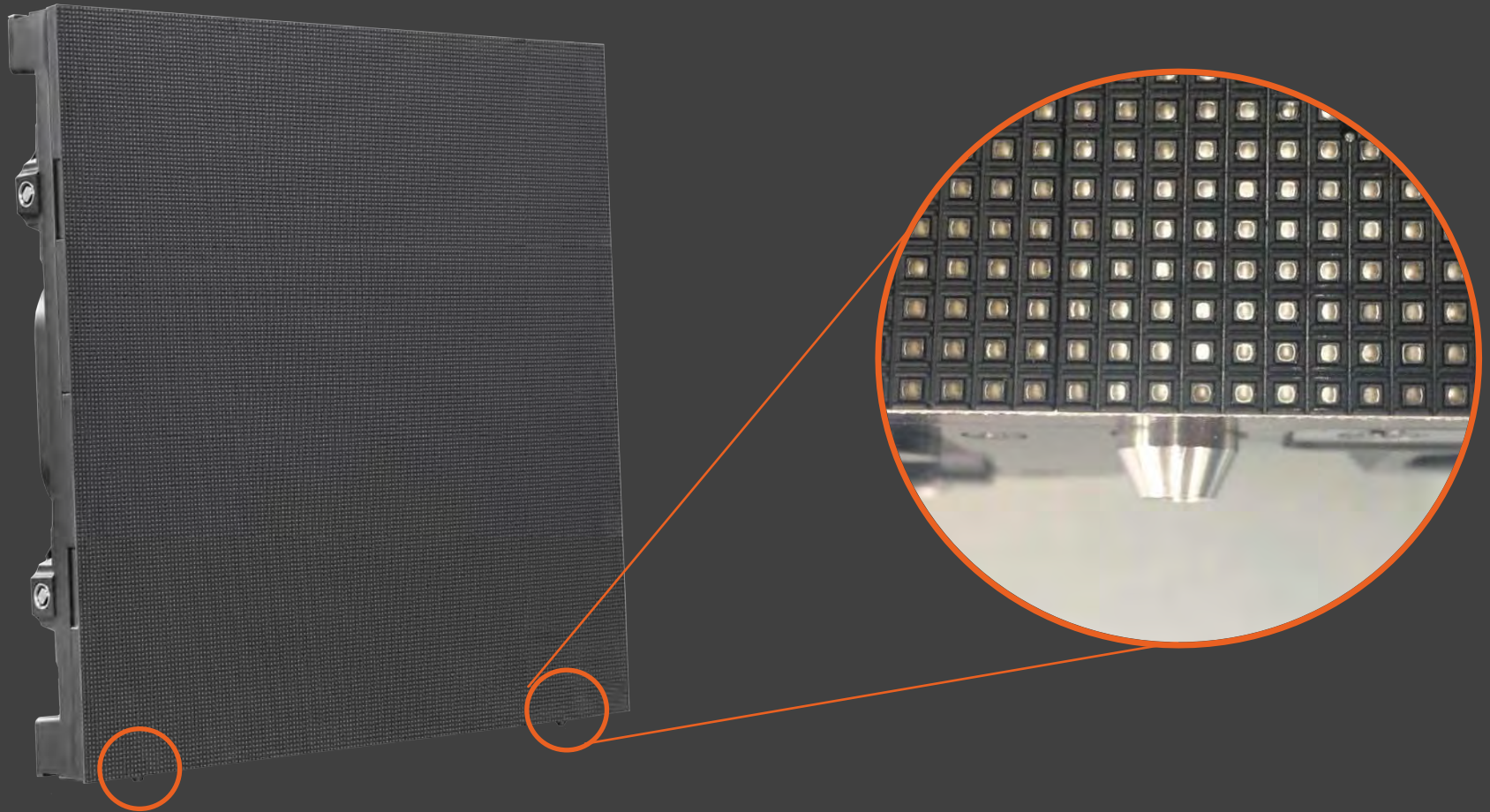


MAGNETIC POSITIONING PLATES MAKE INSTALLATION A SNAP



- Magnetic inter-panel connection
- for super-fast and builds and accurate alignment
- **Single technician rigging** - reducing labor costs

PROTECTIVE ALIGNMENT PINS



- Pins position for perfect alignment
- Pins protect panel edges and SMDs
- Speed up installation while increasing accuracy

“ONE ACTION” LOCKS

REVOLUTIONARY PATENTED LOCKING SYSTEM



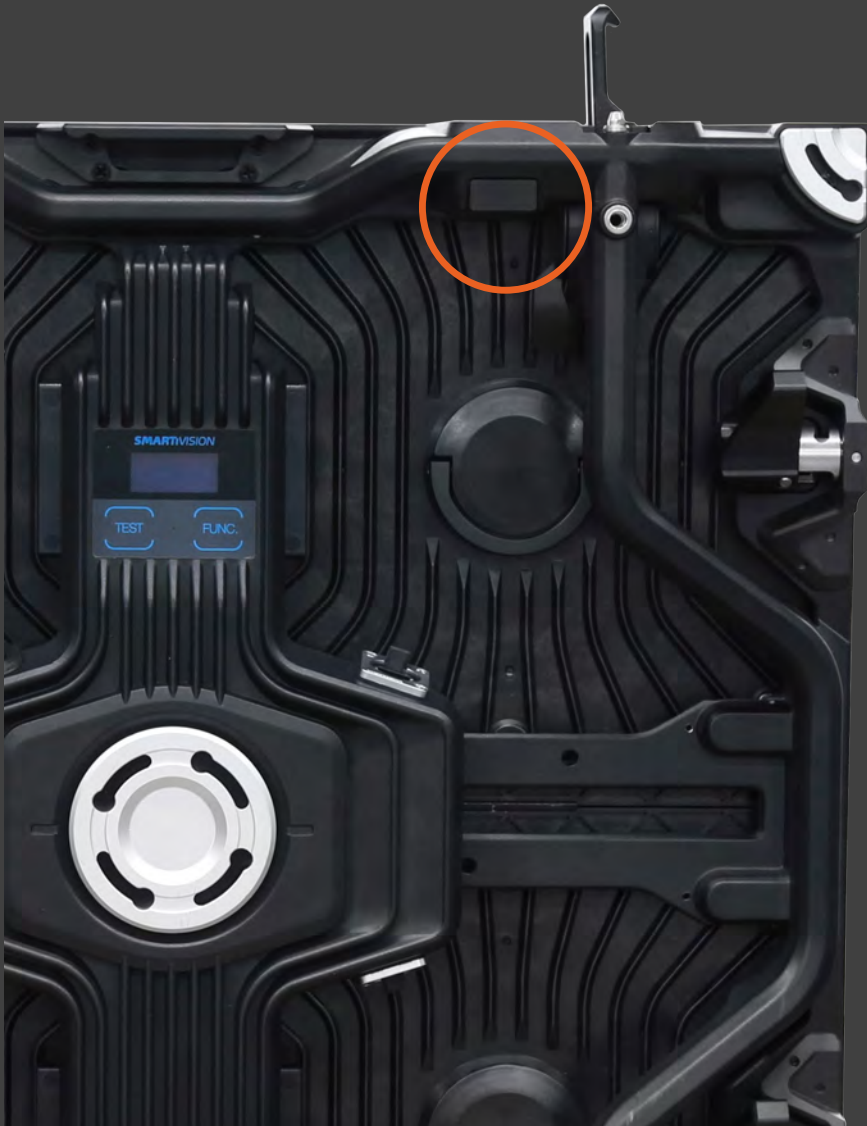
- **One Action Install & Dismantle**
 - Lift out of the flight case
 - Carry to installation point
 - Lock in place – pull to lock and push to release
 - **ALL WITHOUT MOVING YOUR HANDS!**
- **The fastest, most accurate** locking and alignment system on the market!
- Quick build times and **perfect mechanical alignment - critical** for 2mm rental products

VERTICAL TRIGGER LOCKS



VERTICAL TRIGGER LOCKS

JUST PRESS AND PULL

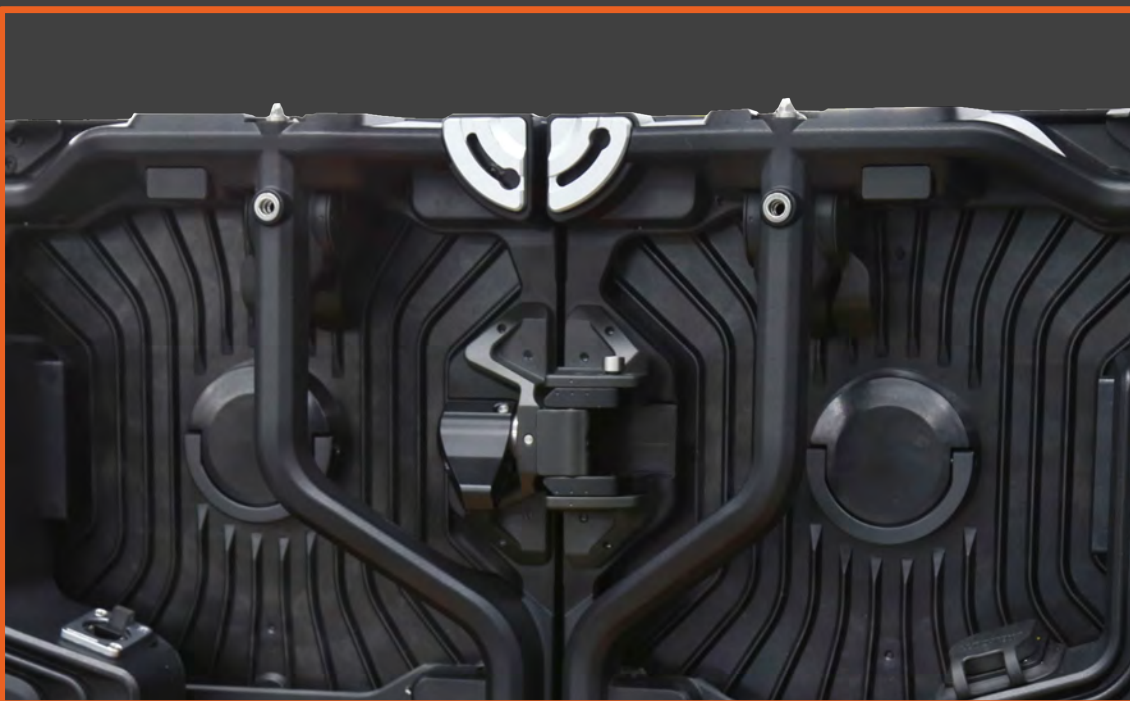
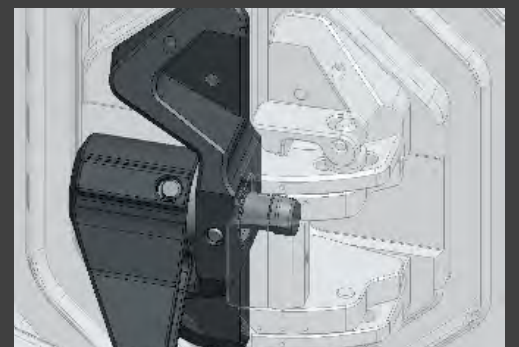
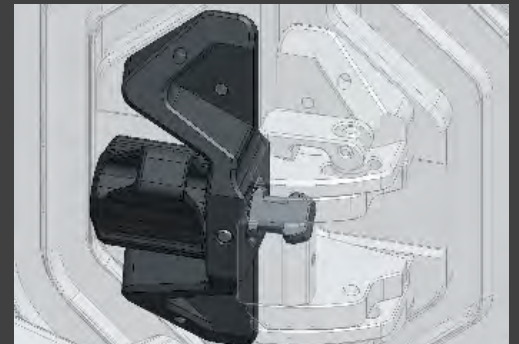
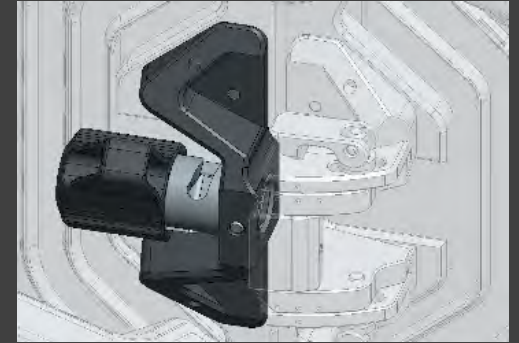


1 Press the button to open the lock



2 Pull the trigger to lock in place

HORIZONTAL LOCKS WITH INTEGRATED CURVES



Absen
LED

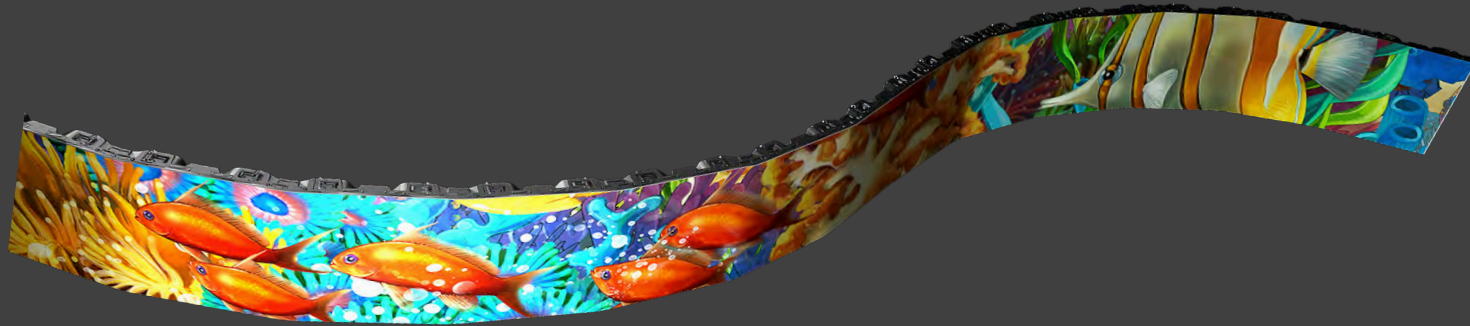
INTEGRATED CURVABILITY

Revolutionary Side Lock System

- Super-fast
- Accurate
- With **built in quick angle-adjust** for curved displays
- **No need for additional, slow, costly and difficult to use adapter plates like other systems**
- Convex or concave curves:
 - Snap to adjust to $+5^\circ$, Flat, or -5° screens



INTEGRATED CURVABILITY



+5 Degree



-5 Degree



COMPLETE TOURING SOLUTION

· Flight Cases · Ground Support & Hanging Bars · Touring Cart



FLIGHT CASE

PROTECTION & CONVENIENCE



- The angled horizontal storage prevents LED damage, aids loading and minimizes movement in transport.
- Protect your investment in storage or on the move

FLIGHT CASE

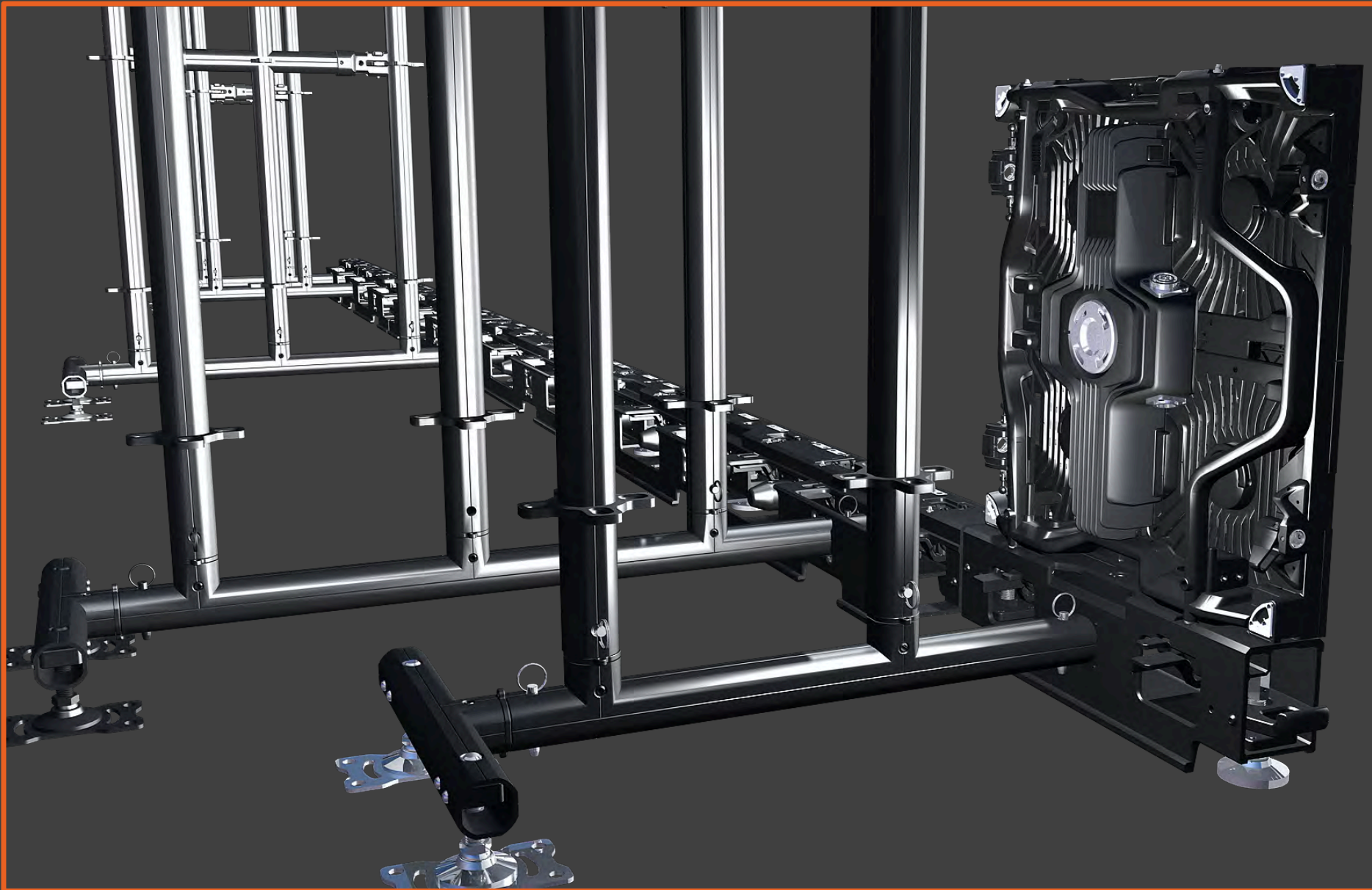
PROTECTION & CONVENIENCE



Flight cases are optimized to stack and fit most standard vehicles to save space and money

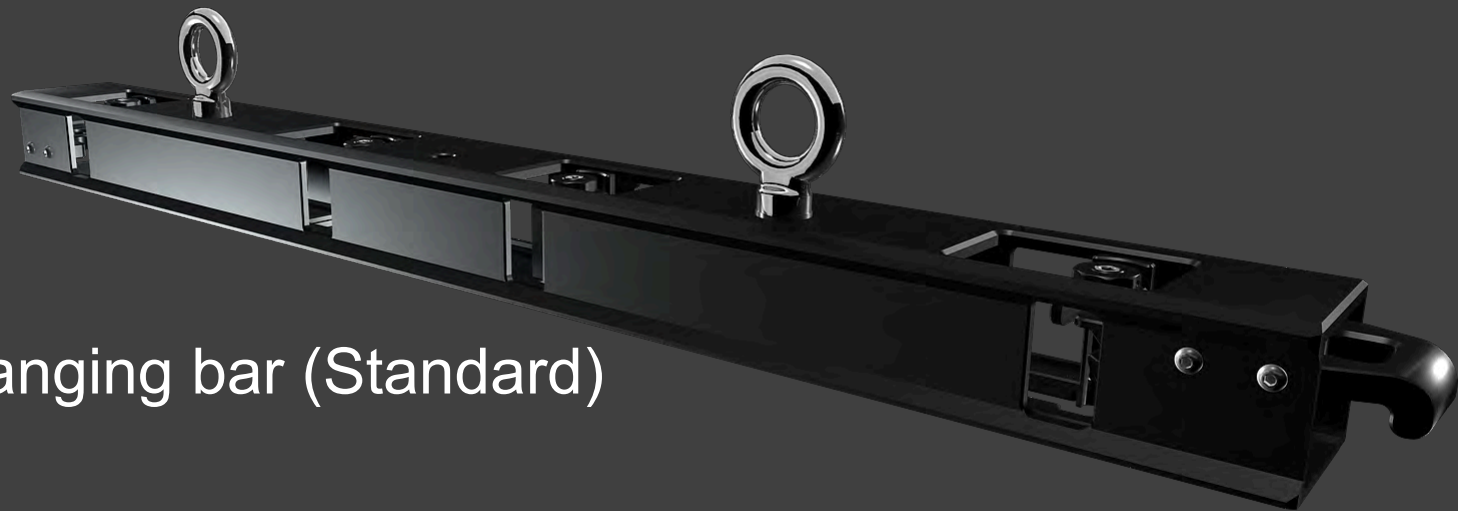
GROUND SUPPORT

Drop, pop and lock ground support for quick and easy floor installation



HANGING BARS

Strong, lightweight, modular design for fast setup and easy transport



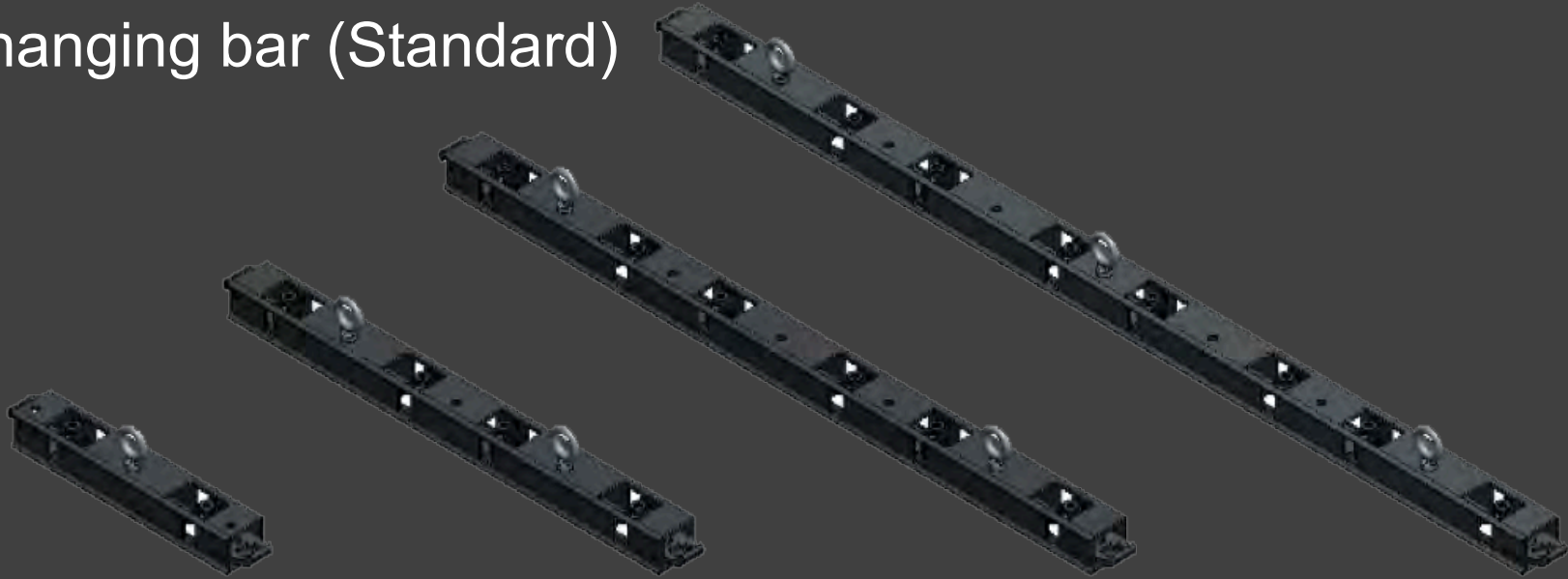
Eyebolt hanging bar (Standard)



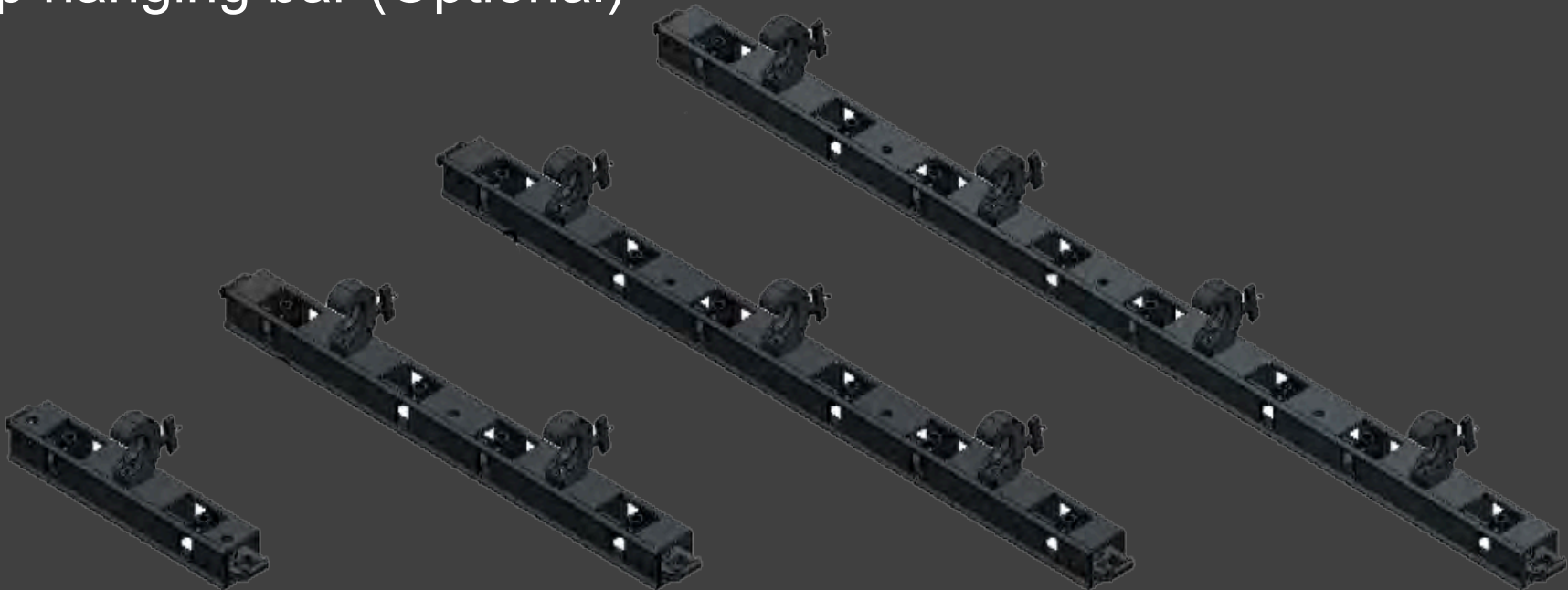
Clamp hanging bar (Optional)

MULTIPLE SIZE HANGING BARS

Eyebolt hanging bar (Standard)



Clamp hanging bar (Optional)



TOURING CART

Pre-loaded touring carts available





PERFECT PICTURE

· Superior SMDs · Contrast · Refresh Rates · Grayscale · Absen Affinity



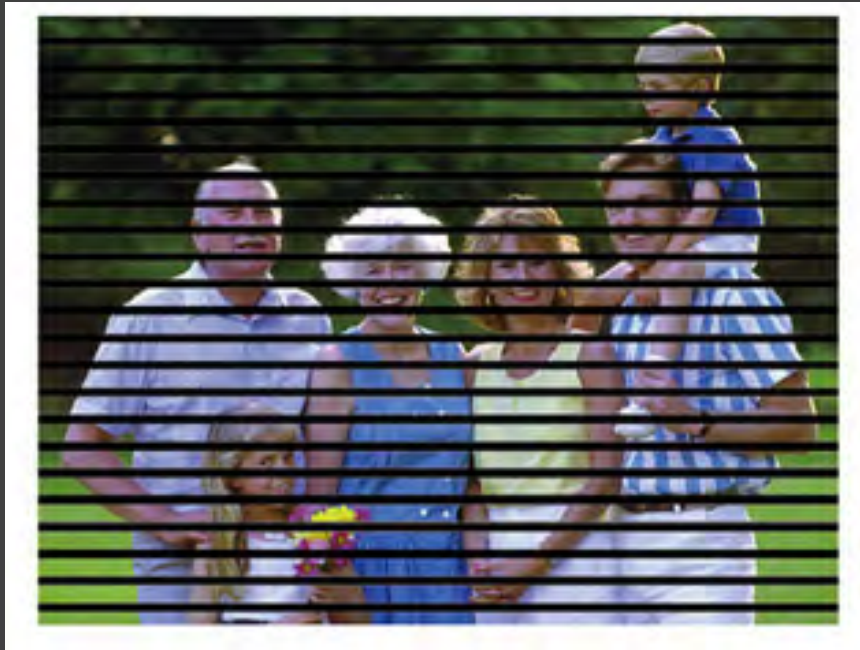
SMD LED PIXELS

Top Tier SMD LED Diodes

- M2.3-1010SMD, M2.9-1515SMD, M3.4 2121SMD
 - 1515 Perfect SMD size for 2.9mm pixel pitch delivering **extreme blacks and high contrast up to 7500:1**
 - Blows away the competition' s 2.6 pixel pitch with 2121SMDs
 - Perfect SMD size and pitch to prevent LED damage
- Top Tier
 - Top tier bin for **ultimate color accuracy color consistency**
 - Largest bin for **maximum delivery capacity**



FLICKER FREE HIGH REFRESH RATE



High refresh rate

- Refresh rate of 3,840Hz
- **Eliminates scan lines** (dark lines) and ghosting
- **Moderates moiré pattern** effect on camera
- Supports **excellent low brightness performance**

HIGH GRAYSCALE



High greyscale

- Top tier **Macroblock MBI PWM** driver IC electronics deliver excellent grayscale
- Maintains performance at **low brightness**

ABSEN AFFINITY PIXEL-BY-PIXEL CALIBRATION

White

Red

Green

Blue



Before / After Calibration

Fully calibrated pixel-by-pixel

- Unique 3rd generation *Absen Affinity™* calibration system
- **Color chromaticity** accurate to within 0.003 x,y (calibrated)
- **Brightness accuracy** within $\pm 1\%$ (calibrated)
- Perfect, flat, accurate color for a **seamless LED display**



FURTHER DETAILS

Neutrik Chord · Certification



NEUTRIK POWER AND DATA



- Neutrik powerCON TRUE1 power connectors and cables
– PowerCON TRUE1 is a connector with **breaking capacity (CBC)**, i.e. it can be connected or disconnected under load or live
- **Neutrik etherCON data connectors and cables**
- High quality, reliable, AV industry standard, super-fast, easy to use and service

CERTIFICATION

- Dedicated factory floor for RoHS production
- Fully CE, RoHS, ETL, FCC certified for worldwide market
- Independent 3rd party Rigging Report
- Independent 3rd party Stacking Report*
- Independent 3rd party Ground Support Static Report*

*Pending





M SERIES vs. THEM

Absen M · Absen A2Pro · ROE · Unilumin



PRODUCT COMPARISON

M2.9 VS A2PRO



SPECIFICATIONS	M2.9	A2PRO
Pixel Pitch (mm)	2.97	2.97
LED Type (SMD)	Black 1515	Black 1515
Panel Dimensions (W x H x D) (mm)	500 x 500 x 96	500 x 500 x 96
Pixel Density per m ² (pixels)	112,896	112,896
Weight per m ² (kg)	30.4	34
Panel Material	Magnesium Alloy	Magnesium Alloy
Curving	Yes - Integrated	No
Curving Angles (°)	±5° Convex and Concave	No
Contrast Ratio	7500:1	7000:1
Power Consumption (Max./Avg.) (W/m ²)	440 / 150	660 / 220
Optional Control System	Brompton	Not Available
PSU and Others Maintenance	Front or Rear	Rear Only
Modules Maintenance	Front or Rear	Front Only
"One Action" Installation	Yes	No
Improved Flight Case Design	Yes	No
Ground Support Structure Available	Yes	Yes
Touring Cart Available	Yes	Yes

**Data and specifications subject to change without notice*

PRODUCT COMPARISON

THE M SERIES VS. "THEM"



M SERIES



BLACK ONYX



UPAD III

SPECIFICATIONS	M SERIES			Nothing smaller than 2.84mm	BLACK ONYX		UPAD III		
	M2.3	M2.9	M3.4		BO2	BO3	UPAD III 2.6	UPAD III 3.2	UPAD III 3
Pixel Pitch (mm)	2.31	2.97	3.47		2.84	3.47	2.604	3.205	
LED Type (SMD)	Black 1010	Black 1515	Black 2121		1515	2020	2121		3.906
Panel Dimensions (W x H x D) (mm)	500 x 500 x 96				500 x 500 x 90		500 x 500 x 86		
Pixel Density per m ² (pixels)	186,624	112,896	82,944		123,904	82,944	147,475	97,344	65,536
Weight per m ² (kg)	30.4				37.6		36		
Panel Material	Magnesium Alloy				Magnesium Alloy		Aluminum Alloy		
Curving	Yes - Integrated				No - optional		No - optional		
Curving Angles (°)	±5° Convex and Concave				+10° (Concave only)		-3° to +10° Convex and Concave		
Brightness (nits)	800 - 1,000	1,000	1,200		1,800	1,500	900		
Refresh Rate (Hz)	3,840				1,920		2,880		
Grayscale (bit)	14				16		N/A		
Contrast Ratio	7000:1	7500:1			5000:1		3000:1		
Power Consumption (Max./Avg.) (W/m ²)	540 / 180	440 / 150	500 / 165		640 / 290		480 / 160		
LED Lifetime (Hrs)	100,000				50,000		100,000		
Standard Control System	Novastar				Colorlight		Novastar		
Optional Control System	Brompton				Brompton		Brompton		
PSU and Others Maintenance	Front or Rear				Front or Rear		Rear		
Modules Maintenance	Front or Rear				Front or Rear		Front or Rear		
Panel Installation	1 person				1 person		1 person		
Rigging Quantity - Vertical (Panels)	20				20		Not Advertised		
Ground Support Structure Available	Yes				Yes		Yes		
Touring Cart Available	Yes				Yes		Not Advertised		

*Compiled from Absen, ROE and Unilumin website on October 15, 2016. Data subject to change without notice

THANK YOU!

See the M for Yourself!

Please visit our hands on stations
& learn more at usabsen.com



#SeeTheM