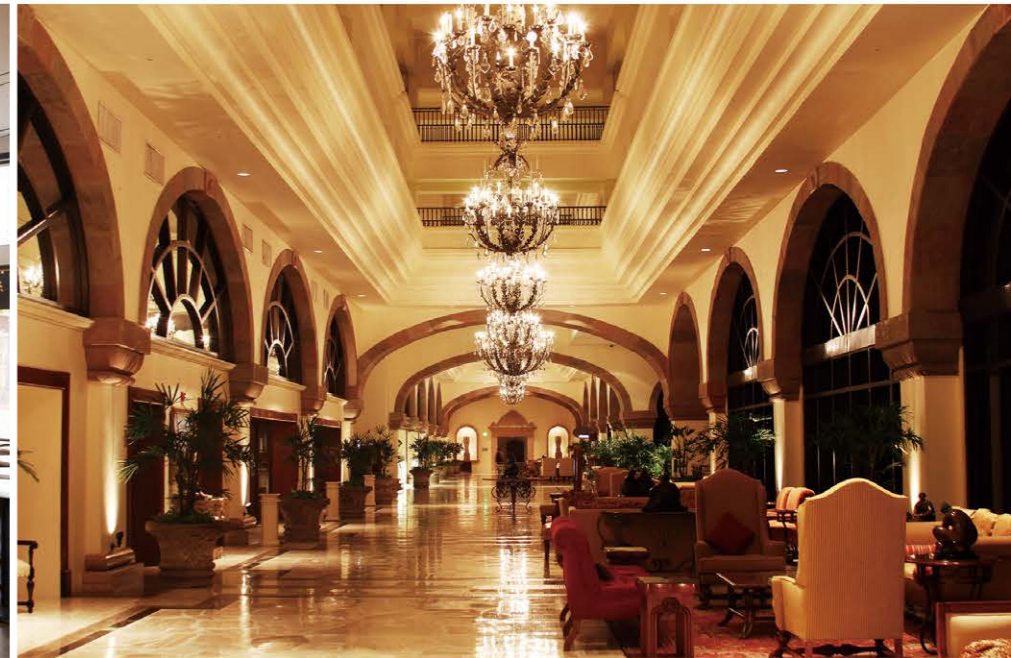


COMMERCIAL INSTALLATION SOLUTIONS

presented by Yamaha



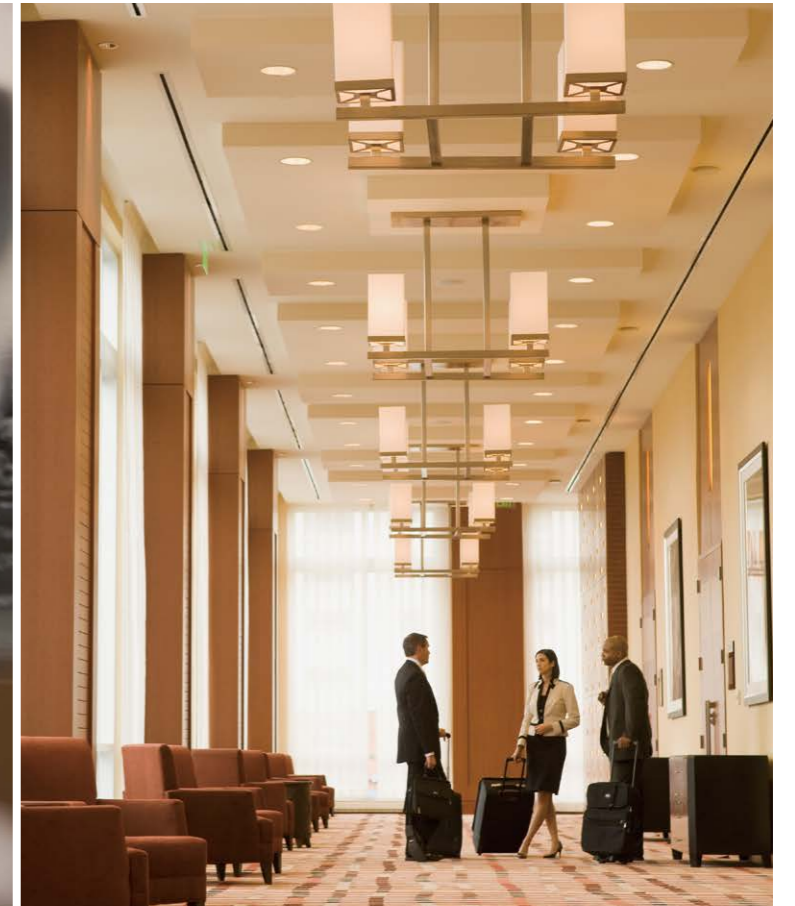
Yamaha - The Sound Business Choice

Have you ever wished there was an easy way to improve the sound quality of background music, speech and announcements that fill the spaces you spend time in?

Like lighting and aroma, sound has a huge impact on the mood of any room. Creating a high-quality sonic environment not only makes the space more pleasant, but it can also have a positive influence on per-customer spending and repeat business.

As sound professionals, we at Yamaha are dedicated to helping our customers create the most appealing, effective sonic environments for their needs. Commercial Installation Solutions was established just for that purpose, offering the most elegant, convenient sound systems available for commercial and public spaces.

Yamaha has more than a century of experience in musical instrument manufacture, plus extensive experience in processing and delivering sound. Industry-leading electronics technologies developed at our own R&D centers are used and highly valued by distinguished engineers in professional audio and broadcast applications worldwide. That same background and dedication is behind the system solutions we offer for commercial installations, giving our customers sound that is ideally tailored to their individual needs.



INTERCONTINENTAL HOTEL DAVOS (Davos, Switzerland)



INSTALLED PRODUCTS: VXS SERIES, VXC SERIES, XMV SERIES, MTX SERIES, DME SERIES, LS9 SERIES

SHANG XIA (Shanghai, China)



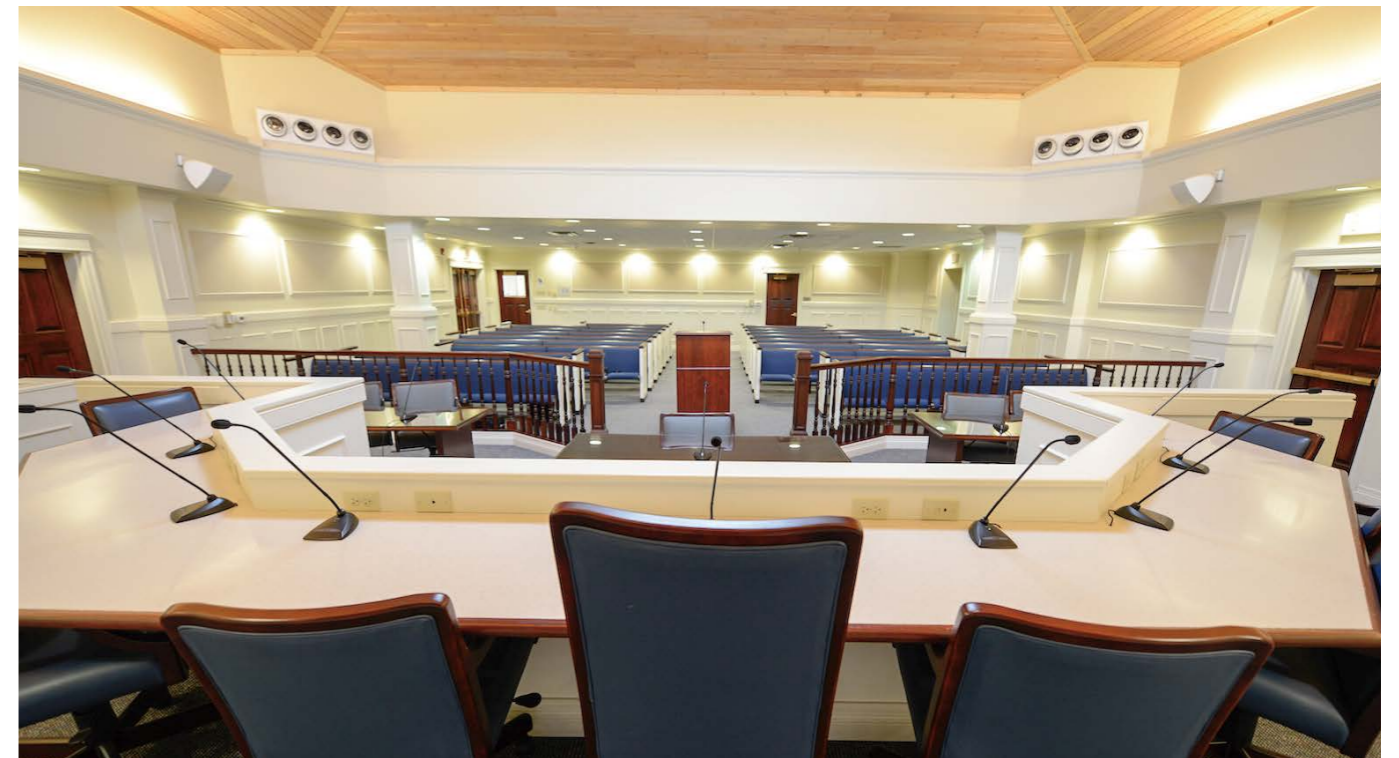
INSTALLED PRODUCTS: VXS SERIES, VXC SERIES, MA/PA SERIES, XMV SERIES, MTX SERIES

ITO-YA (Tokyo, Japan)



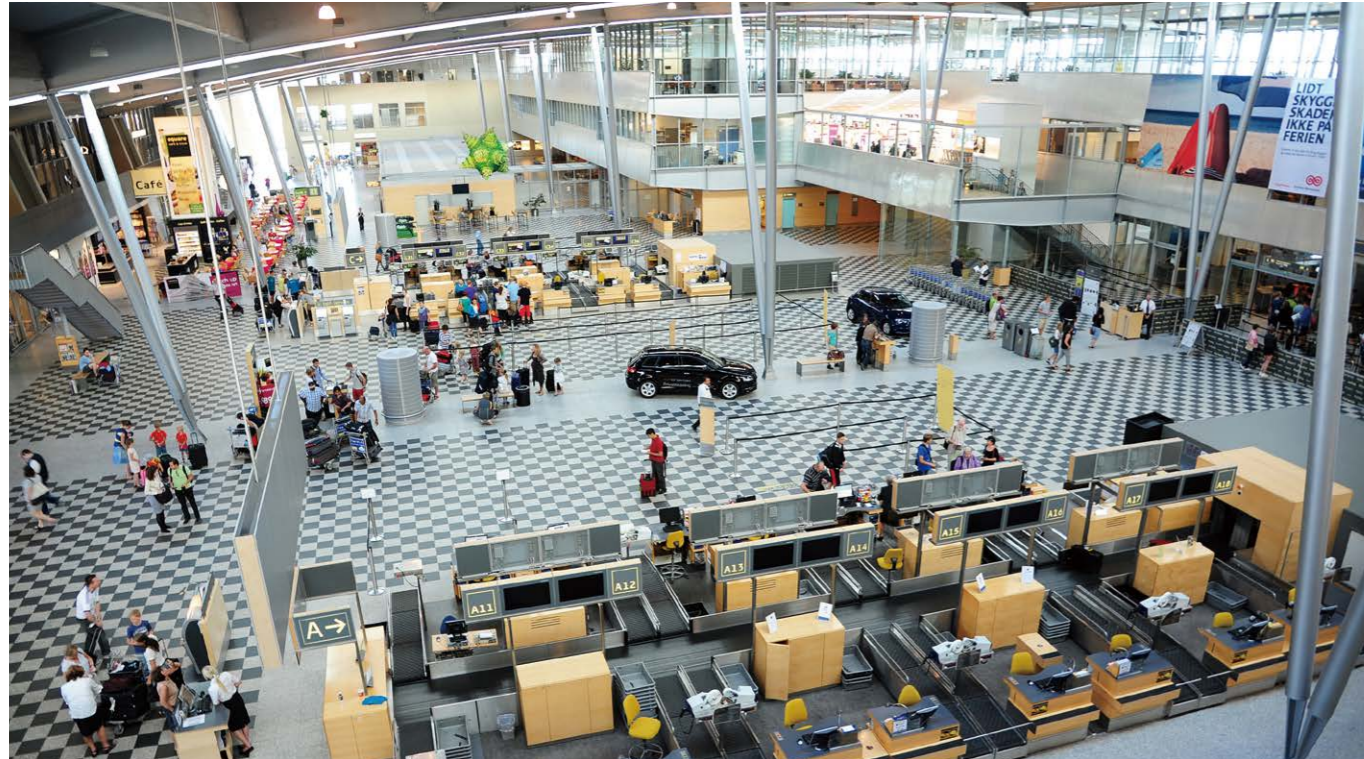
INSTALLED PRODUCTS: VXS SERIES, VXC SERIES, MA/PA SERIES, XMV SERIES, MTX SERIES, EXo8

STONE HARBOR MUNICIPAL COURTHOUSE (New Jersey, USA)



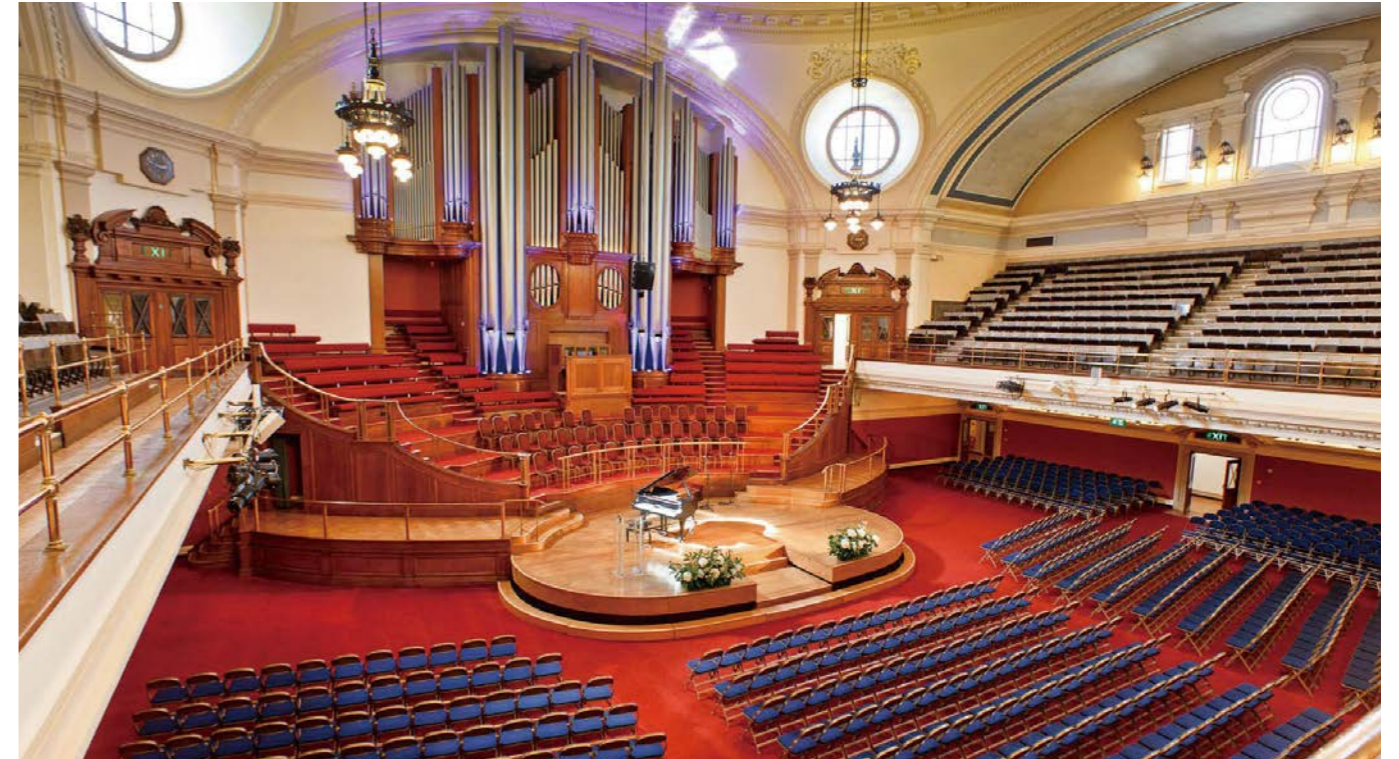
INSTALLED PRODUCTS: VXS SERIES, VXC SERIES, XMV SERIES, MTX SERIES, DCP SERIES

BILLUND AIRPORT (Billund, Denmark)



INSTALLED PRODUCTS: VXC SERIES (VA version)

CENTRAL HALL WESTMINSTER (London, UK)



INSTALLED PRODUCTS: VXS SERIES, XMV SERIES, MRX SERIES, MTX SERIES, QL SERIES, and more

USINE (Stockholm, Sweden)



INSTALLED PRODUCTS: VXS SERIES, XMV SERIES, MTX SERIES, DCP SERIES, and more

FONDAZIONE BANCO DI NAPOLI (Napoli, Italy)



INSTALLED PRODUCTS: VXS SERIES, XMV SERIES, MRX SERIES, EXi8, DCP SERIES

Yamaha Commercial Installation Solutions are designed to help you deliver ideal sound in commercial spaces. A speaker system combined with an appropriate simple or smart solution can provide the perfect balance of performance and functionality for your needs.



Speaker Systems

VXS, VXL and VXC series speakers have been optimized specifically for commercial sound applications, with accurate sound inspired by our long history of musical instrument production plus visual design that blends easily with any décor. Choose the models that best suit your needs from our ample lineup.

**VXS Series
VXL Series
VXC Series**

▶ P.9 - P.16

Simple Solutions

These solutions are suitable for basic background music, speech, and announcements applications, built around MA and PA series devices that anyone can operate.

Recommended applications:

Cafes, restaurants, bars, apparel shops, classrooms, presentation rooms, etc.



MA/PA Series

▶ P.17 - P.20

Smart Solutions

Smart solutions are more suitable for central management of systems with complex audio signal flow, and to deliver more advanced sound staging. A plentiful lineup of MTX and MRX series processors and XMV series power amplifiers make it possible to assemble ideal, highly expandable systems.

Recommended applications:

Conference rooms, lecture halls, restaurants, hotels, banquet halls, office complexes, multi-purpose facilities, shopping malls, etc.



**MTX/MRX Series
Controllers
Peripherals**

▶ P.21 - P.28

Application Examples



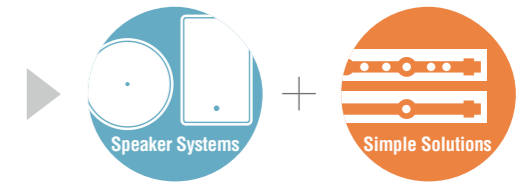
Cafe, Bar, Restaurant

▶ P.18



Multi-level Boutique

▶ P.19



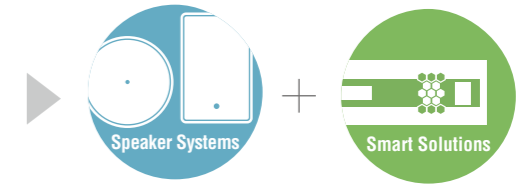
Conference Room

▶ P.22



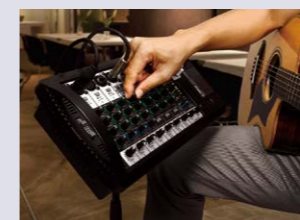
Banquet Room

▶ P.23

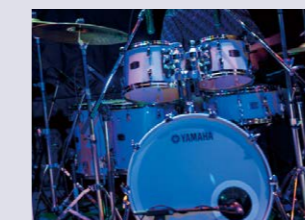


+Entertainment

Since Yamaha was established over 125 years ago, the company has built an enviable reputation in the development and manufacture of musical instruments, home audio, and professional audio products that have been defining influences in a variety of fields. When you need top-quality sound for a commercial space that comes with added entertainment value, Yamaha has the solutions.



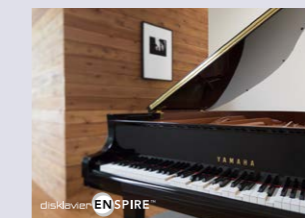
PORTABLE PA SYSTEMS



DRUMS



MUSICCAST HOME AUDIO SYSTEMS



PIANOS

and more...

Example: Hotel Lobby



▶ P.30

Example: Restaurant



▶ P.31

Speaker Systems

VXS, VXL and VXC series speakers have been optimized specifically for commercial sound applications, with accurate sound inspired by our long history of musical instrument production plus visual design that blends easily with any décor. Choose the models that best suit your needs from our ample lineup.

- POINT1** High quality, richly musical sound
- POINT2** Visual design that harmonizes with any interior décor
- POINT3** An extensive lineup to choose from



VXS Series SURFACE-MOUNT SPEAKER

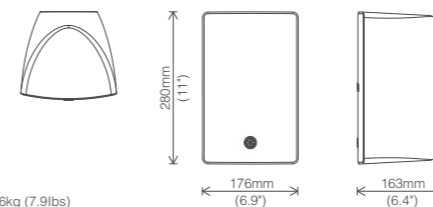


VXS5



- Paintable
- Lo-Z/Hi-Z switchable
- Pair package
- EN54-24 certified models available (VA version)

- Type: 2-way, Bass-reflex (HF 0.75" ; LF 5.25")
- Frequency Range (-10dB): 62Hz–20kHz
- Power Rating (PGM): 150W
- Nominal Impedance: 8Ω
- Transformer Taps (70V/100V): [70V] 30W, 15W, 7.5W, 3.8W [100V] 30W, 15W, 7.5W
- Sensitivity (1W, 1m): 89dB SPL
- Dispersion: H 120° x V 120°
- Waterproof: IP35



Net Weight: 3.6kg (7.9lbs)

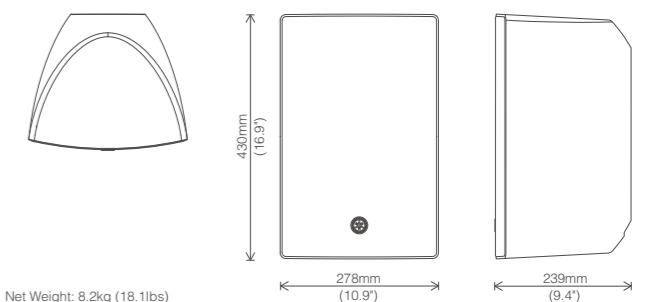


VXS8



- Paintable
- Lo-Z/Hi-Z switchable
- Pair package
- EN54-24 certified models available (VA version)

- Type: 2-way, Bass-reflex (HF 1" ; LF 8")
- Frequency Range (-10dB): 51Hz–20kHz
- Power Rating (PGM): 180W
- Nominal Impedance: 8Ω
- Transformer Taps (70V/100V): [70V] 60W, 30W, 15W, 7.5W [100V] 60W, 30W, 15W
- Sensitivity (1W, 1m): 91dB SPL
- Dispersion: H 100° x V 100°
- Waterproof: IP35



Net Weight: 8.2kg (18.1lbs)



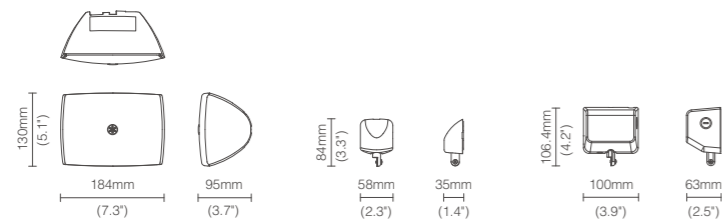
VX Series F COMPACT SURFACE-MOUNT SPEAKER



VXS3F/VXS3FT

(B) (W)

- Paintable
- VX S3F: Lo-Z only
- VX S3FT: Hi-Z only
- Pair package
- Type: Full-range, Acoustic Suspension (3.5")
- Frequency Range (-10dB): 130Hz–20kHz
- Power Rating (PGM): 40W
- Nominal Impedance: 8Ω
- Transformer Taps (70V/100V)*:
 - [70V] 15W, 7.5W, 3.8W, 1.9W
 - [100V] 15W, 7.5W, 3.8W
- *VXS3FT (Hi-Z model) only
- Sensitivity (1W, 1m): 86dB SPL
- Dispersion: H 150° x V 160°



VXS3F Net Weight (with bracket): 1.1kg (2.4lbs)
VXS3FT Net Weight (with bracket): 1.7kg (3.7lbs)

VXS3F bracket (Lo-Z model)

VXS3FT bracket (Hi-Z model)

*A transformer is attached to a bracket of the VX S3FT (Hi-Z model)



VXS3FW (Lo-Z model): wall mount



VXS3FT (Hi-Z model): wall mount



VX Series M MINI SURFACE-MOUNT SPEAKER



VXS1ML

(B) (W)

- Paintable
- Lo-Z only
- Single package
- Type: Full-range, Acoustic Suspension (1.5")
- Frequency Range (-10dB): 180Hz–20kHz
- Power Rating (PGM): 10W
- Nominal Impedance: 8Ω
- Sensitivity (1W, 1m): 79dB SPL
- Dispersion: H 170° x V 170°

Optional Accessories: CMA1M for in-ceiling mount



Net Weight: 0.17 kg (0.4 lbs)



with CMA1M (in-ceiling mount)





VX Series S SURFACE-MOUNT SUBWOOFER

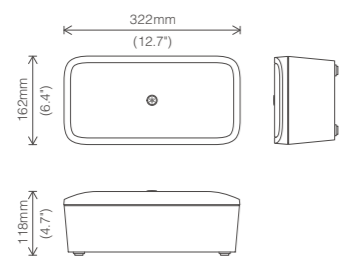


VXS3S

(B) (W)

- Paintable
- Lo-Z/Hi-Z switchable
- Single package
- Type: SR-Bass™ Subwoofer (3.5")
- Frequency Range (-10dB): 65Hz–180Hz
- Power Rating (PGM): 40W
- Nominal Impedance: 8Ω
- Transformer Taps (70V/100V):
[70V] 15W, 7.5W, 3.8W, 1.9W
[100V] 15W, 7.5W, 3.8W
- Sensitivity (1W, 1m): 79dB SPL

Optional Accessories: CMA3S for in-ceiling mount



Net Weight: 2.7kg (6.0lbs)

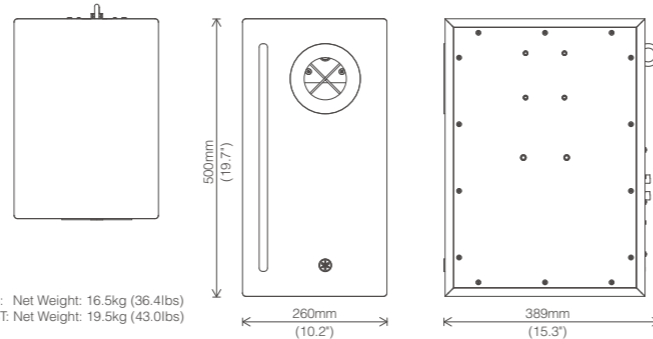


VXS10S/VXS10ST

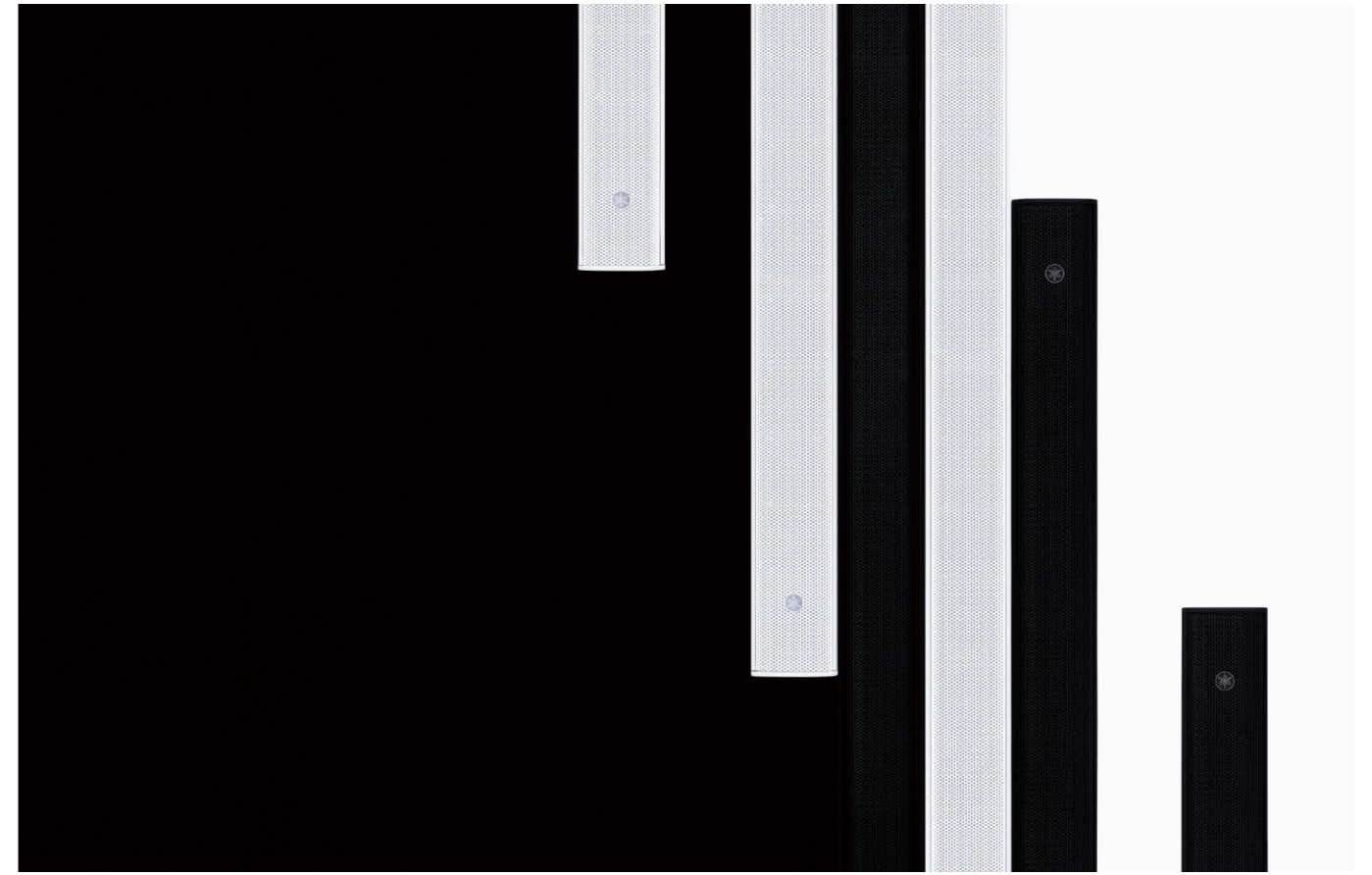
(B) (W)

- Paintable
- VX S10S: Lo-Z only
- VX S10ST: Hi-Z only
- Single package
- Type: Bass-reflex Subwoofer (10" Dual Voice Coil)
- Frequency Range (-10dB): 45Hz–250Hz
- Power Rating (PGM): 200W+200W
- Nominal Impedance: 8Ω+8Ω
- Transformer Taps (70V/100V)*:
[70V] 200W, 100W, 50W, 25W
[100V] 200W, 100W, 50W
*VXS10ST (Hi-Z model) only
- Sensitivity (1W, 1m): 96dB SPL

Optional Accessories: UB-DXR8 for ceiling mount



VXS10S: Net Weight: 16.5kg (36.4lbs)
VXS10ST: Net Weight: 19.5kg (43.0lbs)

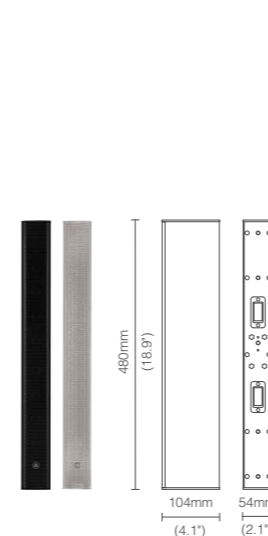


VXL Series LINE ARRAY SPEAKER

VXL1-8

(B) (W)

- Paintable
- Lo-Z only (Hi-Z option available)
- Single package
- Type: Full-range, Bass-reflex (1.5" x 8)
- Frequency Range (-10dB): 70Hz–20kHz
- Power Rating (PGM): 80W
- Nominal Impedance: 16Ω
- Sensitivity (1W, 1m): 89dB SPL
- Dispersion: H 170° x V 40°
- Waterproof: IP35 (with port cover)

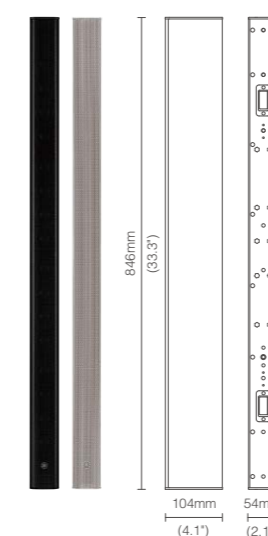


Net Weight: 2.1kg (4.6lbs)

VXL1-16

(B) (W)

- Paintable
- Lo-Z only (Hi-Z option available)
- Single package
- Type: Full-range, Bass-reflex (1.5" x 16)
- Frequency Range (-10dB): 81Hz–20kHz
- Power Rating (PGM): 160W
- Nominal Impedance: 12Ω
- Sensitivity (1W, 1m): 91dB SPL
- Dispersion: H 170° x V 25°/30° (Adjustable)
- Waterproof: IP35 (with port cover)

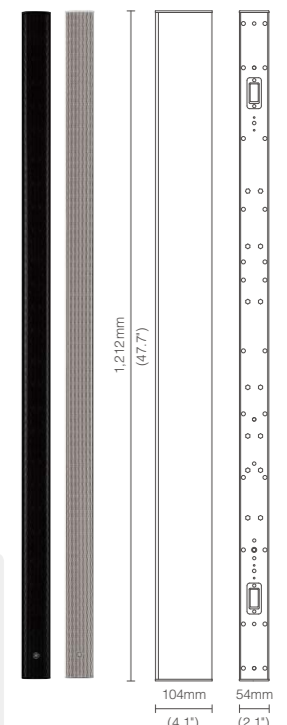


Net Weight: 3.9kg (8.6lbs)

VXL1-24

(B) (W)

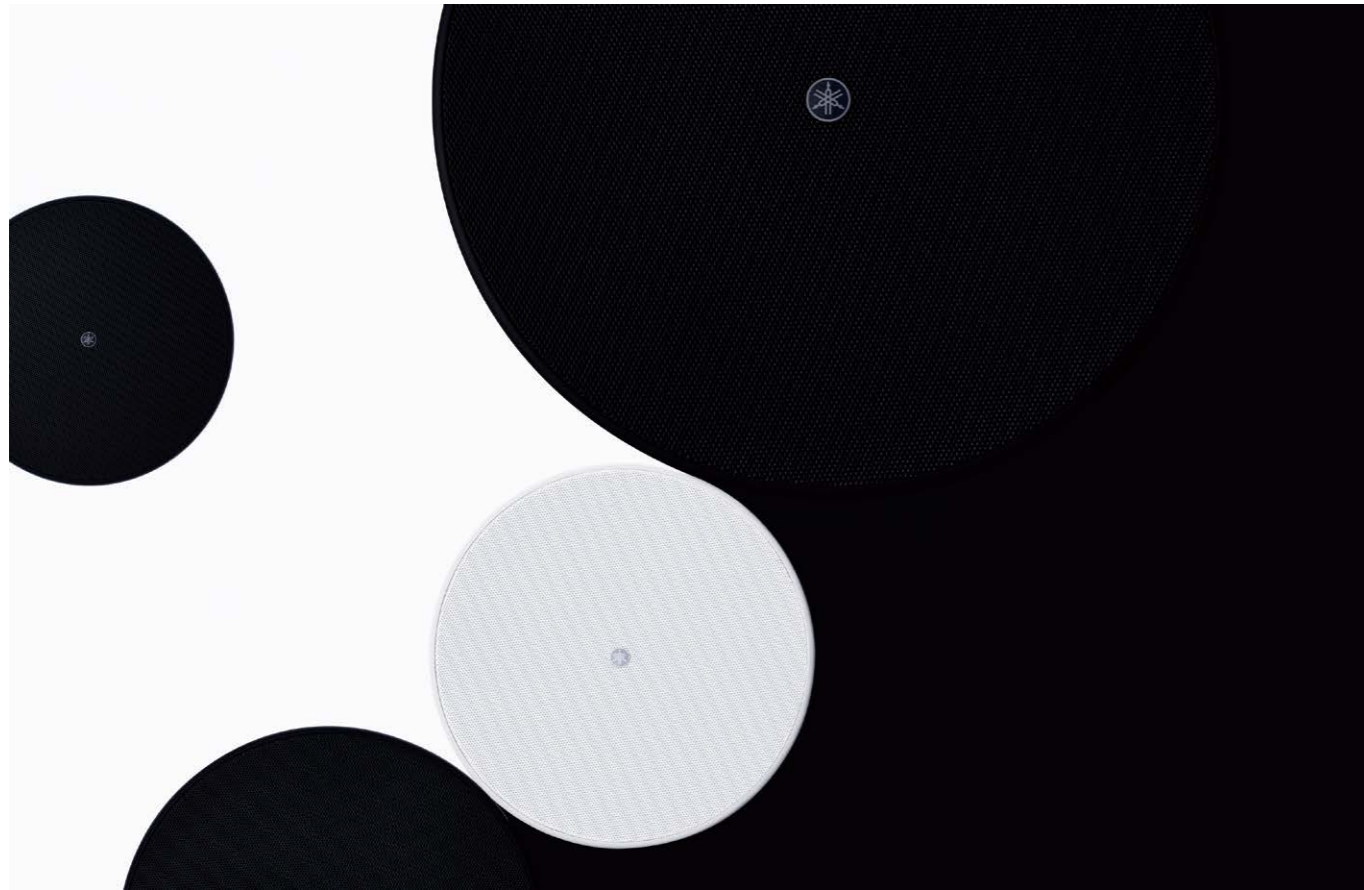
- Paintable
- Lo-Z only (Hi-Z option available)
- Single package
- Type: Full-range, Bass-reflex (1.5" x 24)
- Frequency Range (-10dB): 77Hz–20kHz
- Power Rating (PGM): 220W
- Nominal Impedance: 8Ω
- Sensitivity (1W, 1m): 91dB SPL
- Dispersion: H 170° x V 15°/20° (Adjustable)
- Waterproof: IP35 (with port cover)



Net Weight: 5.5kg (12.1lbs)

Optional Accessories (for all VXL models):

- ST-L1 for Hi-Z connections
- VCB-L1 for vertical mounting of two arrays
- HCB-L1 for side-by-side mounting of two arrays
- WMB-L1 for 2-axis adjustment of a single array
- VCSB-L1 for 2-axis adjustment of a two vertically linked arrays



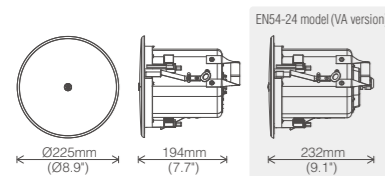
VXC Series IN-CEILING SPEAKER



VXC4

(B) (W)

- Paintable
- Lo-Z/Hi-Z switchable
- Pair package
- EN54-24 certified models available (VA version)
- Type: Full-range, Bass-reflex (4")
- Frequency Range (-10dB, 2π): 80Hz–20kHz
- Power Rating (PGM): 60W
- Nominal Impedance: 8Ω
- Transformer Taps (70V/100V):
[70V] 30W, 15W, 7.5W, 3.8W
[100V] 30W, 15W, 7.5W
- Sensitivity (1W, 1m): 87dB SPL
- Dispersion: 130° conical



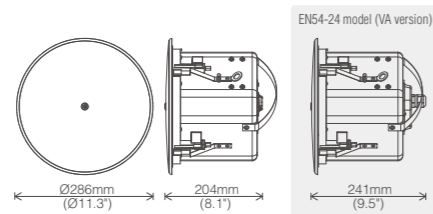
Net Weight: 2.6kg (5.7lbs)
Cutout Size: Ø186mm (7.3")



VXC6

(B) (W)

- Paintable
- Lo-Z/Hi-Z switchable
- Pair package
- EN54-24 certified models available (VA version)
- Type: 2-way, Acoustic Suspension (HF 0.75" ; LF 6.5")
- Frequency Range (-10dB, 2π): 56Hz–20kHz
- Power Rating (PGM): 150W
- Nominal Impedance: 8Ω
- Transformer Taps (70V/100V):
[70V] 60W, 30W, 15W, 7.5W
[100V] 60W, 30W, 15W
- Sensitivity (1W, 1m): 86dB SPL
- Dispersion: 110° conical



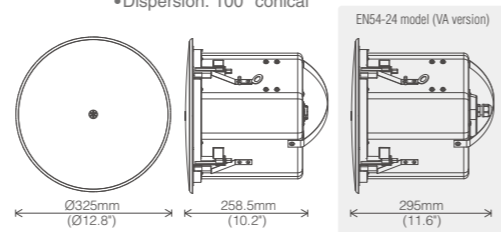
Net Weight: 4.4kg (9.7lbs)
Cutout Size: Ø247mm (9.8")



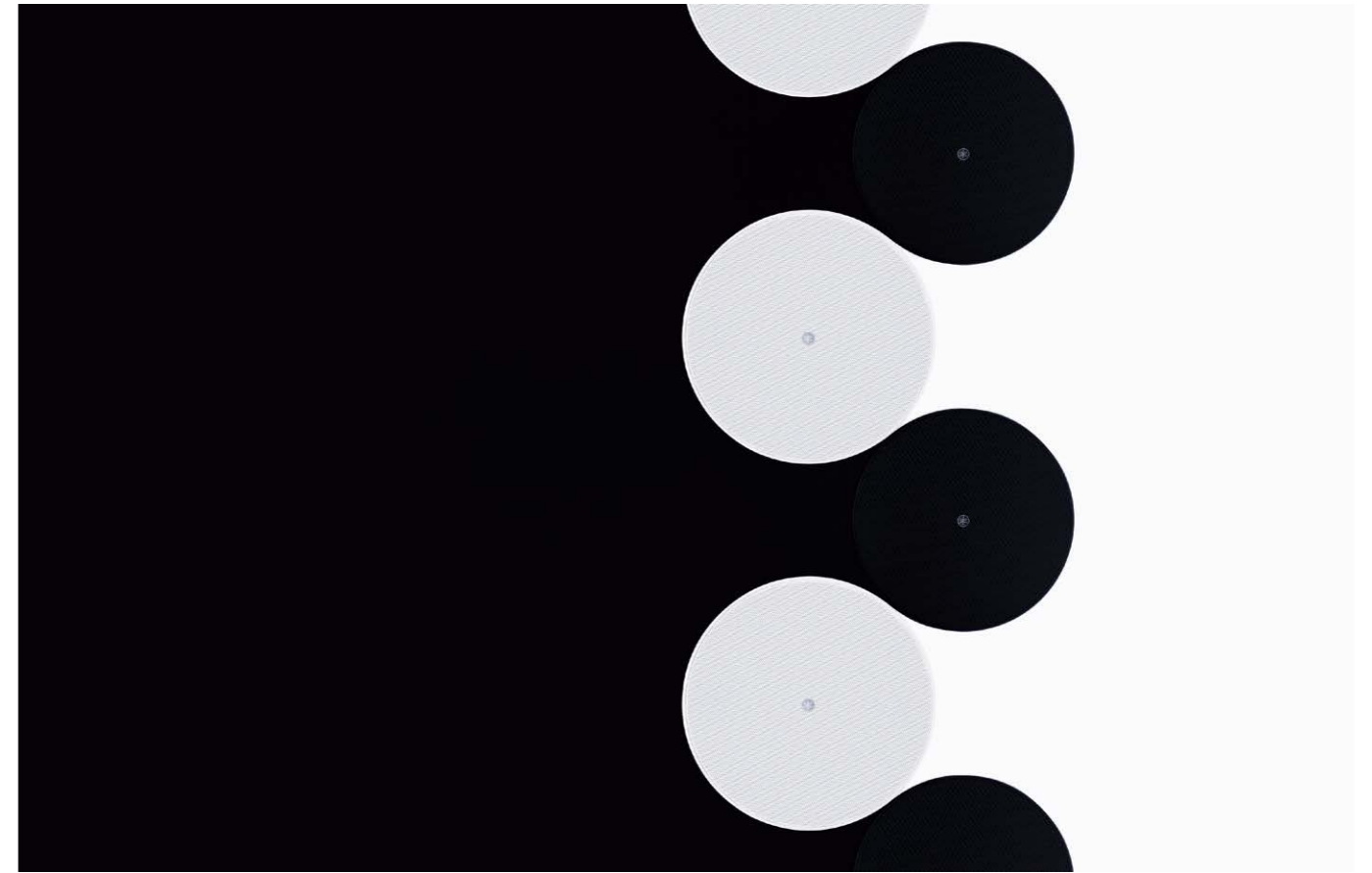
VXC8

(B) (W)

- Paintable
- Lo-Z/Hi-Z switchable
- Pair package
- EN54-24 certified models available (VA version)
- Type: 2-way, Acoustic Suspension (HF 1" ; LF 8")
- Frequency Range (-10dB, 2π): 55Hz–20kHz
- Power Rating (PGM): 180W
- Nominal Impedance: 8Ω
- Transformer Taps (70V/100V):
[70V] 60W, 30W, 15W, 7.5W
[100V] 60W, 30W, 15W
- Sensitivity (1W, 1m): 90dB SPL
- Dispersion: 100° conical



Net Weight: 6.6kg (14.6lbs)
Cutout Size: Ø285mm (11.3")



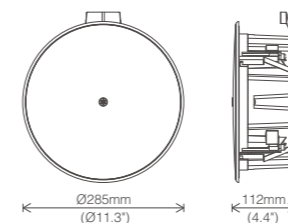
VXC series F LOW-PROFILE IN-CEILING SPEAKER



VXC3F

(B) (W)

- Paintable
- Lo-Z/Hi-Z switchable
- Pair package
- EN54-24 certified models available (VA version)
- Type: Full-range, Bass-reflex (3.5")
- Frequency Range (-10dB, 2π): 71Hz–20kHz
- Power Rating (PGM): 40W
- Nominal Impedance: 8Ω
- Transformer Taps (70V/100V):
[70V] 15W, 7.5W, 3.8W, 1.9W
[100V] 15W, 7.5W, 3.8W
- Sensitivity (1W, 1m): 87dB SPL
- Dispersion: 140° conical



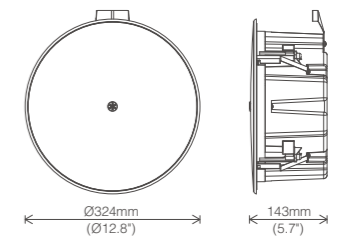
Net Weight: 2.5 kg (5.5 lbs)
Cutout Size: Ø247mm (9.8")



VXC5F

(B) (W)

- Paintable
- Lo-Z/Hi-Z switchable
- Pair package
- EN54-24 certified models available (VA version)
- Type: Full-range, Bass-reflex (4.5")
- Frequency Range (-10dB, 2π): 60Hz–20kHz
- Power Rating (PGM): 80W
- Nominal Impedance: 8Ω
- Transformer Taps (70V/100V):
[70V] 30W, 15W, 7.5W, 3.8W
[100V] 30W, 15W, 7.5W
- Sensitivity (1W, 1m): 89dB SPL
- Dispersion: 130° conical



Weight: 3.1 kg (6.8 lbs)
Cutout Size: Ø285mm (11.3")

Simple Solutions

These solutions are suitable for basic background music, speech, and announcements applications, built around MA and PA series devices that anyone can operate.

- POINT1** Easy, intuitive operation and user-friendly design
- POINT2** Simple setup that does not require a computer
- POINT3** Outstanding functionality in compact units

Recommended applications:

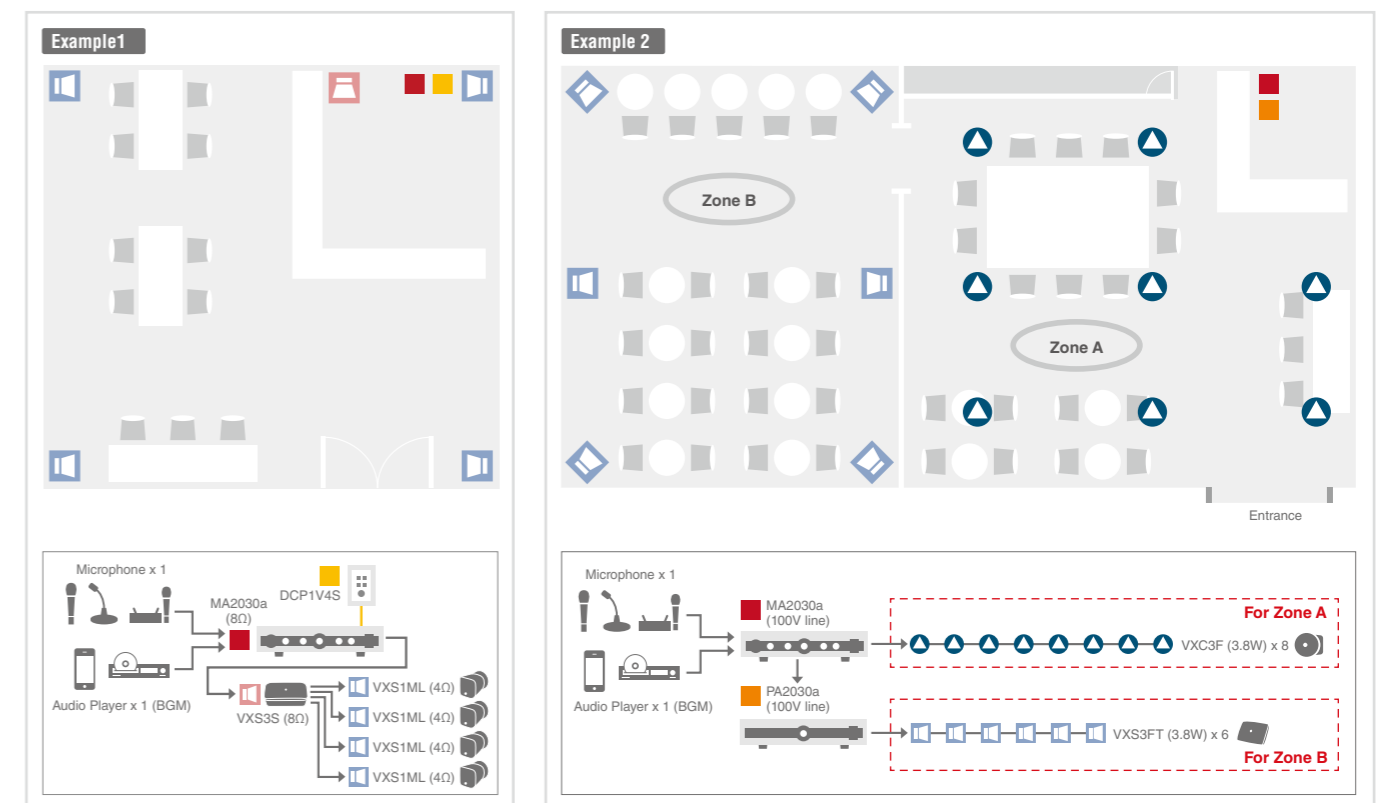
Cafes, restaurants, bars, apparel shops, classrooms, presentation rooms, etc.



An Easy Approach to Enjoyable BGM

"We'd like to provide enjoyable background music in our shop, but don't know much about audio equipment."

Here's an ideal solution for a small café or restaurant that we recommend for customers in this type of situation. In order to create a comfortable, agreeable environment of this sort, attention should be paid to both sonic and visual quality. Compact speakers like the VXS1ML and VXS3F can be mounted on walls or ceiling, adding a touch of class to any décor with their uniquely refined form. They have also been specially tuned to deliver full musical nuance and impact even at low volume and thereby eliciting the greatest atmospheric contribution from the music used. The MA2030a is a stylish mixer amplifier that can be easily used without any prior audio experience. All you need to get started is the MA2030a, VXS series speakers, and a music source of your choosing. You can add a microphone for announcements and small events if necessary, easily broadening the scope of your business. Refer to Example 1. You can increase the number of speakers the system is capable of driving by adding a PA2030a power amplifier to cover a larger or more complex area. In a larger speaker system of this sort it becomes possible to add VXS3FT models and in-ceiling VXC3F models as appropriate to location and décor. Refer to Example 2.

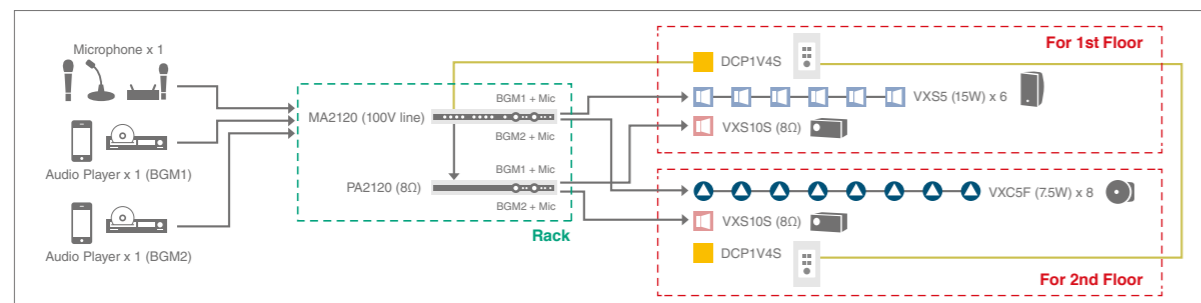
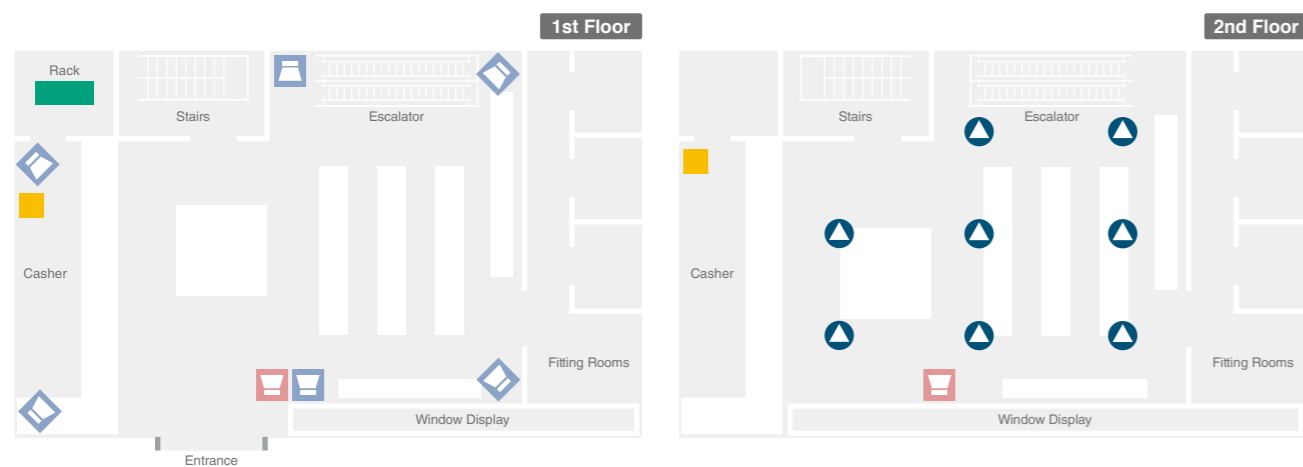




Different BGM to Different Zones, Plus Announcements

“We want to be able to create different moods in different areas of the store. One area could have an upbeat vibe for shopping, for example, while another has a more serene atmosphere for people who want to take a break from shopping.”

This system would be a good choice for a multi-level boutique or a restaurant that features a bar or lounge. Background music is just as important as décor and lighting for creating a specific mood. Yamaha VX and VXC series speakers provide high quality playback that delivers the full emotional impact of the music to the listening area, making a major contribution to overall atmosphere. The power and excitement of rhythmic music can be enhanced by adding VX510S subwoofers. The MA2120 would be a good choice for broadcasting announcements or advertisements while supplying different background music to different areas. It includes a Ducker function that automatically reduces the volume of the background music while a microphone is being used so that no manual adjustments are required. DCP1V4S control panels installed in the separate areas allow remote control of background music volume and other operations.



MA/PA Series



MA2030a
MIXER AMPLIFIER



- Compact 1U D-class amplifier with mixing function
- Stereo in x 3, mic in x 2
- Drives Lo-Z and Hi-Z speaker systems (switchable)
- Combine with a PA2030a or PA2120 for speaker system expansion
- Supports remote DCP control

Optional Accessories: RKH1 for rack mount

[Convenient DSP functions]

- Priority Ducker and Leveler enhance BGM convenience
- Feedback Suppressor for microphone input
- Stereo source EQ with enhancer function
- Built-in speaker EQ optimized for VXS/VXC series speakers
- HPF (150 Hz)



PA2030a
POWER AMPLIFIER



- Compact 1U D-class amplifier
- Stereo in x 1; mono/line in x 2
- Drives Lo-Z and Hi-Z speaker systems (switchable)

Optional Accessories: RKH1 for rack mount

[Convenient DSP functions]

- Built-in speaker EQ optimized for VXS/VXC series speakers
- HPF (150 Hz) and LPF (150 Hz, 200 Hz)



MA2120

MIXER AMPLIFIER



- Compact 1U D-class amplifier with mixing function
- Stereo in x 2, mic/line in x 6 (featuring a 24V settings)
- Two independently controllable outputs (zoning supported)
- Drives Lo-Z and Hi-Z speaker systems (switchable)
- Combine with a PA2030a or PA2120 for speaker system expansion
- Supports remote DCP control
- Certified by ENERGY STAR

[Convenient DSP functions]

- Priority Ducker and Leveler enhance BGM convenience
- Feedback Suppressor, Compressor, and Reverb+Echo for microphone input
- Stereo source EQ with enhancer function
- Built-in speaker EQ optimized for VXS/VXC series speakers
- HPF (150 Hz) and LPF (150 Hz, 200 Hz)



PA2120

POWER AMPLIFIER



- Compact 1U D-class amplifier
- Stereo in x 1; mono/line in x 2
- Two independently controllable outputs (zoning supported)
- Drives Lo-Z and Hi-Z speaker systems (switchable)
- Supports remote DCP control
- Certified by ENERGY STAR

[Convenient DSP functions]

- Built-in speaker EQ optimized for VXS/VXC series speakers
- HPF (150 Hz) and LPF (150 Hz, 200 Hz)

Output Power

	MA2030a	PA2030a	MA2120	PA2120
Lo-Z	30W x2 @3Ω/4Ω/8Ω	30W x2 @3Ω/4Ω/8Ω	120W x2 @4Ω, 100W x2 @3Ω/8Ω	120W x2 @4Ω, 100W x2 @3Ω/8Ω
Hi-Z	60W x1 @70V/100V	60W x1 @70V/100V	120W x2 or 200W x1 @70V/100V	120W x2 or 200W x1 @70V/100V

Smart Solutions

Smart solutions are more suitable for central management of systems with complex audio signal flow, and to deliver more advanced sound staging. A plentiful lineup of MRX and MTX series processors and XMV series power amplifiers make it possible to assemble ideal, highly expandable systems.

- POINT1** Configurable to match the scale of the application
- POINT2** Flexible DSP functions for advanced sound systems
- POINT3** Industry leading stability and reliability

Recommended applications:

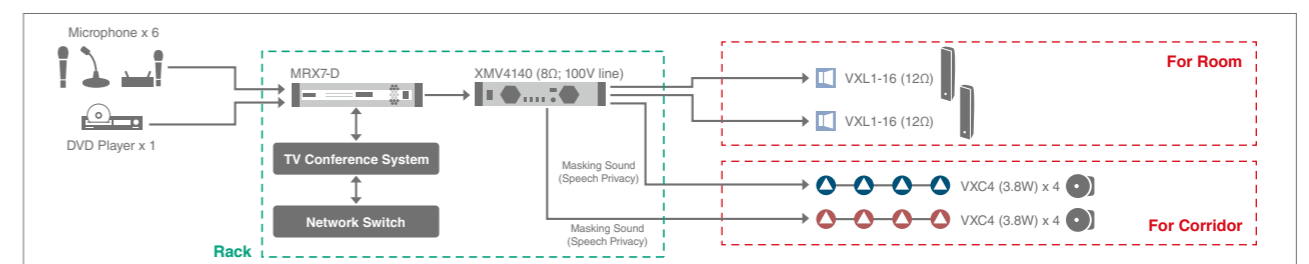
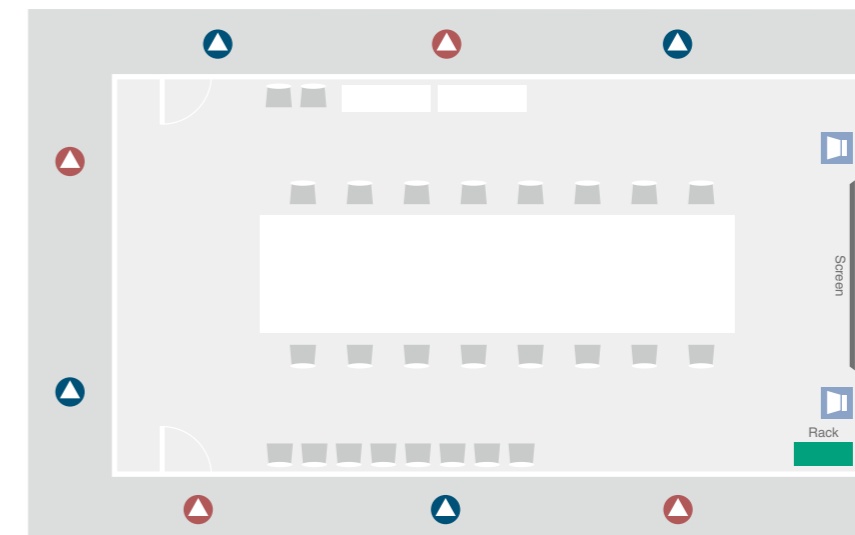
Conference rooms, lecture halls, restaurants, hotels, banquet halls, office complexes, multi-purpose facilities, shopping malls, etc.



An Advanced Remote Conferencing Environment

"We need maximum clarity and intelligibility for remote conferencing, plus measures to prevent the conference from being overheard."

These capabilities are vital in modern offices, financial institutions, medical facilities, and more. The system described here is a good start. Although remote conferencing is a rapidly growing mode of communication, echoes caused by audio feedback and otherwise impaired intelligibility are still common problems. Yamaha's highly advanced MRX7-D features an Acoustic Echo Canceller function that effectively suppresses echoes even if speaker output is picked up by microphones in the room, eliminating echoes and dropouts in both directions. Add VXL1 slim line array speakers that offer outstanding clarity, and you have a system that achieves excellent intelligibility for smooth, effortless communication. The MRX7-D also includes a Speech Privacy function that feeds a special masking signal to speakers installed in the hallway outside the conference room, making it impossible for outsiders to eavesdrop on the proceedings.

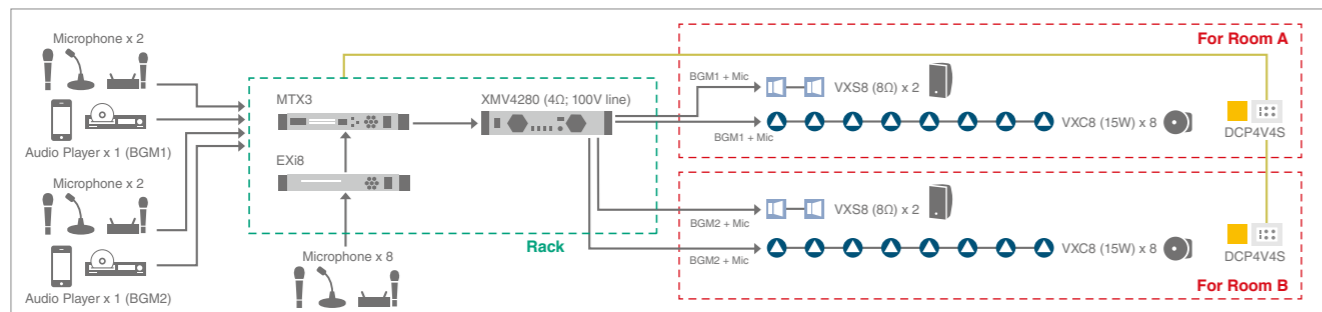
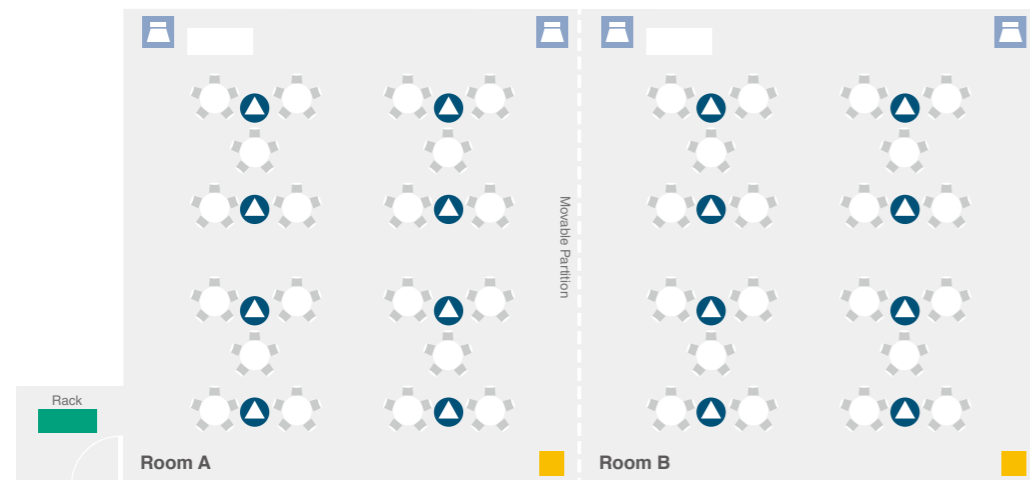




Flexible Space Utilization for a Variety of Events

"We have a number of rooms that are normally used separately, but for special events we want to be able to combine them by removing the partitions without having to change the sound system layout or equipment."

This is a fairly common hotel banquet room or multi-purpose hall scenario that can be effectively served by the following system. Room A and Room B in the system example are normally used independently for meetings, parties, or other events, and are therefore equipped with audio systems that can be operated separately. The Yamaha MTX3 is a convenient matrix processor that can accept input from multiple audio sources and route that audio to specified speaker systems. The EXi8 is handy when you want to increase the number of available microphone inputs, for example. DCP4V4S control panels installed in each room can be set up to allow remote control of microphone level and on/off switching, that are flexibly set as required with the MTX-MRX Editor software. When the partition is removed and the rooms are combined to form one larger space, an appropriate setup that has been pre-programmed using the MTX-MRX Editor can be recalled via a single button, instantly setting up the system for central control.



MRX Series



MRX7-D

SIGNAL PROCESSOR



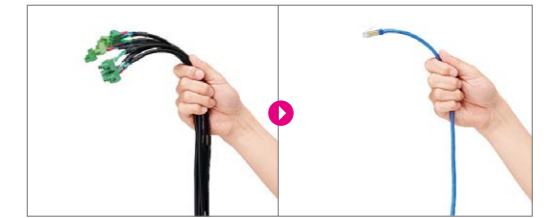
- Free-configuration processor
- Stereo in x 2, mic/line in x 8
- Analog out x 8
- Dante network connectivity for large systems (64 in/64 out)
- Original Yamaha YDIF* digital audio transfer protocol built in (16 in/16 out)
- Mini-YGDAl card slot x 1
- SD memory card slot x 1
- Remote controllable from dedicated controller or software
- Support for external AMX/Crestron controllers

[Convenient DSP functions]

- Dugan Automixer (up to 24ch)
- Speech Privacy System
- Acoustic Echo Canceller

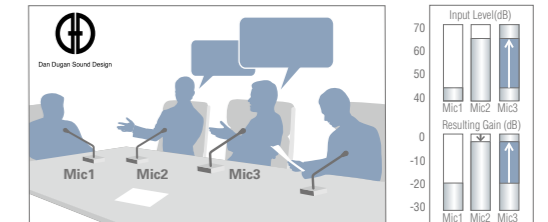
and more...

YDIF Connection for Easier Installation



* Yamaha's YDIF protocol allows bidirectional transfer of up to 16 audio channels plus word clock over a single Ethernet cable. YDIF provides an easy way to transfer digital audio data between compatible devices.

Dugan Automixer for Conference Sound



The Dugan Automixer by Dan Dugan Sound Design automatically raises the gain of microphones at which an input is detected while lowering the gain of microphones that are receiving no input, adjusting channel levels to maintain consistent overall mixer gain. This eliminates the need for complex manual fader operation, safely and reliably maximizing overall clarity and intelligibility.

MTX Series



MTX5-D

MATRIX PROCESSOR



- Fixed-configuration processor
- 34 in x 16 out matrix mixer built in
- Up to 50 pattern presets can be registered
- Stereo in x 2, mic/line in x 8
- Analog out x 8
- Dante network connectivity for large systems (16 in/16 out)
- Original Yamaha YDIF* digital audio transfer protocol built in (16 in/16 out)
- Mini-YGDAl card slot x 1
- SD memory card slot x 1
- Remote controllable from dedicated controller or software
- Support for external AMX/Crestron controllers

[Convenient DSP functions]

- Dugan Automixer (up to 8ch)
- Feedback Suppressor
- Priority Ducker

and more...



MTX3

MATRIX PROCESSOR

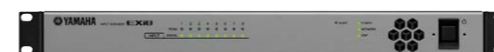


- Fixed-configuration processor
- 26 in x 8 out matrix mixer built in
- Up to 50 pattern presets can be registered
- Stereo in x 2, mic/line in x 8
- Analog out x 8
- Original Yamaha YDIF* digital audio transfer protocol built in (16 in/16 out)
- SD memory card slot x 1
- Remote controllable from dedicated controller or software
- Support for external AMX/Crestron controllers

[Convenient DSP functions]

- Dugan Automixer (up to 4ch)
- Feedback Suppressor
- Priority Ducker

and more...

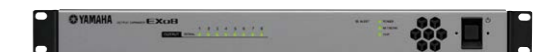


EXi8

INPUT EXPANDER



- Input expander for MTX/MRX series processors
- 8ch of A/D converter
- Original Yamaha YDIF* digital audio transfer protocol built in



EXo8

OUTPUT EXPANDER



- Output expander for MTX/MRX series processors
- 8ch of D/A converter
- Original Yamaha YDIF* digital audio transfer protocol built in

XMV Series MULTI-CHANNEL POWER AMPLIFIER



XMV8140/XMV8280 YDIF XMV8140-D/XMV8280-D

- Multi-channel class-D amplifiers optimized for use with MTX/MRX series processors
- Drives Lo-Z and Hi-Z speaker systems (switchable in 2-output groups)
- Channels independently switchable for analog or digital input
- Eight models available for a wide range of applications

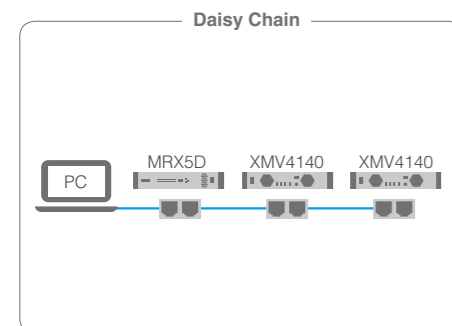
XMV4140/XMV4280 YDIF XMV4140-D/XMV4280-D

- Original Yamaha YDIF digital audio transfer protocol built in (Only for basic models)
- Dante network connectivity for large systems (Only for "-D" models)

Output Power

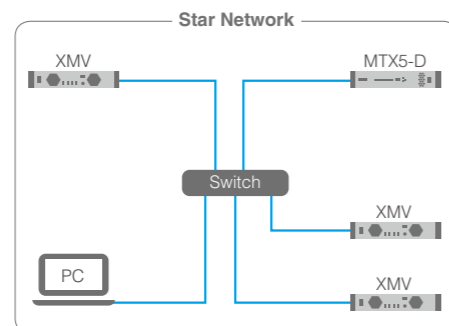
	XMV4140/XMV4140-D	XMV4280/XMV4280-D	XMV8140/XMV8140-D	XMV8280/XMV8280-D
Lo-Z	140W x4 @4Ω/8Ω	280W x4 @4Ω/8Ω	140W x8 @4Ω/8Ω	280W x8 @4Ω/8Ω
Lo-Z (Double Power Mode)	280W x2 @4Ω/8Ω	560W x2 @4Ω/8Ω	280W x4 @4Ω/8Ω	560W x4 @4Ω/8Ω
Hi-Z	125W x4 @70V/100V	250W x4 @70V/100V	125W x8 @70V/100V	250W x8 @70V/100V

The Flexibility of Dante Network



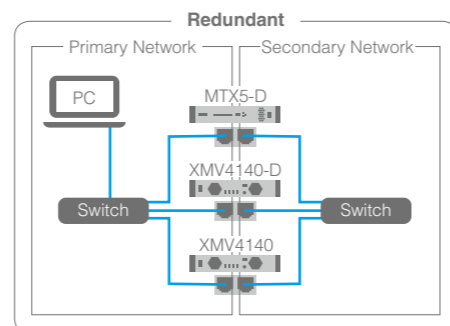
Daisy Chain Network

When building a simple system with a small number of devices. It is recommended to use Daisy Chain. Since Dante can transfer both control and audio signals with one cable, no network switches are required for Daisy Chain mode.



Star Network

In a star network, each device is connected to a central hub. Using a GbE-compatible network switch enables you to configure a wide-band, large-scale network.



Redundant Network

If it is necessary for higher resiliency against unexpected network problems, it is recommended to use redundant network.



PGM1 PAGING STATION MICROPHONE



- Dante network support
- 8 buttons can be assigned to any functions*
- Up to 4 units can be connected per system
- PoE powered

* Output destinations and input sources are specified via the MTX-MRX Editor



PGX1 PAGING STATION EXTENSION

- Function expansion for the PGM1
- 8 buttons can be assigned to any functions*
- Up to 2 units can be connected to each PGM1
- PoE powered

* Output destinations and input sources are specified via the MTX-MRX Editor



SWR2100P-5G



SWR2100P-10G

SWR2100P-5G/SWR2100P-10G L2 SWITCH

- PoE power capable
- [-5G]: Up to 4 ports
- [-10G]: Up to 9 ports
- Comprehensive network monitoring from the dedicated Yamaha LAN Monitor software application,* with PoE power status monitoring and ON/OFF switching capability.

* Download free of charge from the Yamaha pro audio website: <http://www.yamahaproaudio.com>

Optional Accessories: RK-SWR for rack mount

DCP Series DIGITAL CONTROL PANEL

DCP1V4S DCP4S DCP4V4S



US standardized size models

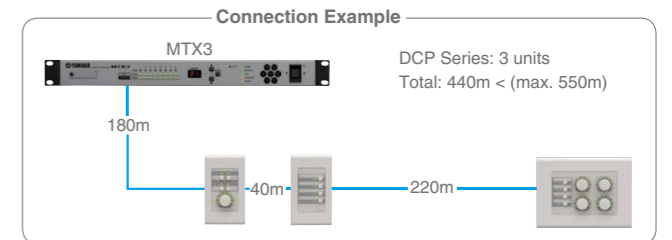
- Dedicated remote controllers for MTX/MRX and MA/PA series devices*
- Three models available to match a variety of control requirements
- Power supply from host devices (MTX/MRX or MA/PA series)

* For MTX/MRX control

- The function of each knob/switch can be freely assigned as required from the MTX-MRX Editor.
- Up to eight controllers can be connected per system (max. cable length is determined by the number of connected devices*1).

* For MA/PA control

- The function of each knob/switch is assigned via a rear-panel DIP switch. Assignable functions are predetermined.
- Refer to the Model Compatibility Chart.*2



*1 Total Cable Length (MTX/MRX Series)

No. of connected DCP units	1	2	3	4	5	6	7	8
Maximum cable length (total)	1,000m	850m	550m	400m	350m	250m	250m	200m

*2 Model Compatibility (MA/PA Series)

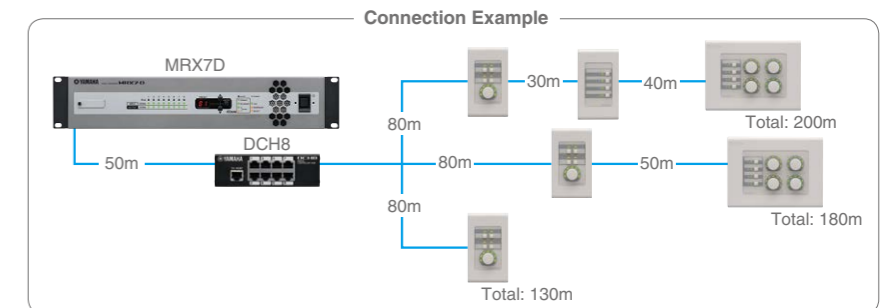
	DCP4V4S	DCP1V4S	DCP4S	Max. DCP per unit
MA2120	✓	✓	✓	2
PA2120	✓	✓	✓	2
MA2030a	-	✓	-	1
PA2030a	-	-	-	-

DCH8

DIGITAL CONTROL HUB



- Dedicated 8-way distribution hub for DCP controllers
- Each group allows connection of DCP controllers with up to 200 meters total cable length



Wireless DCP

WIRELESS CONTROL PANEL



- A wireless control application for iOS and Android devices that offers the same control capability as DCP units
- Wireless control of MTX/MRX systems



* Wireless DCP can be downloaded from Apple's App Store and Google Play at no charge. (Apple, iPhone and iPod are trademarks of Apple Inc., registered in the U.S. and other countries. App Store is a service mark of Apple Inc. Android and Google Play are trademarks of Google Inc.)

MCP1

WALL MOUNT CONTROLLER



- 6 buttons can be assigned to any functions*
- Multi-language displays supported
- Four user levels for access management
- Up to 16 units can be connected per system
- PoE powered
- Back can adapter supplied

* MTX/MRX series functions (components) are specified via the MTX-MRX Editor

ProVisionaire Touch CUSTOM CONTROL PANEL



- Easily design original, intuitive custom control panels for iPad
- No special programming skills required
- Wireless remote control of MTX/MRX systems
- Four user levels for access management

An Intuitive Approach to Designing Flexible Controllers

Microphone and CD player volume faders, microphone ON/OFF switches, photos, and other widgets can be freely arranged on the design page. ProVisionaire Touch provides an easy, intuitive way to create original touch controllers that are ideally configured for the target installation. Multiple design pages are available so that different control panels can be provided for different audio zones and/or users, with presets and parameter settings optimized for each.



User Level Access Control

Access to the control panels and design pages is controlled by three passcodes for maximum security as well as operating convenience.

- 1: Pass-code for screen lock: To avoid the miss operation
- 2: Pass-code for power user: For advanced user to move to special page(s)
- 3: Pass-code for administrator: For the contractor to design control panel

	Screen Lock	Operate/Set	Edit/Adjust
System Administrator	✓	✓	✓
Power User	✓	✓	—
Owner/Staff	✓	—	—
Guest User	—	—	—

As of ProVisionaire Touch V1.2 it is also possible to create control panels for Yamaha MusicCast® compatible devices and Disklavier™ ENSPIRE series player pianos. Find the latest information at <http://www.yamahaproaudio.com>

ProVisionaire Control CUSTOM CONTROL PANEL

- Easily design original, intuitive custom control panels (Windows application)
- Wireless or wired remote control of MTX/MRX systems
- Four user levels for access management
- Control a wide range of Yamaha devices, including the CL/QL series mixing consoles*

* Faders and switches can be dragged and dropped into the ProVisionaire Control layout as widgets from the CL/QL Editor and other applications. The appearance of imported widgets will be modified to match the ProVisionaire Control widgets.



ProVisionaire Control KIOSK

This software allows the WindowsPC/Tablet to be set up to function as a dedicated controller, preventing users from accessing the operating system or other applications so that unintended control or design changes cannot occur. Operation widgets, such as faders and switches, and monitor functions are consolidated onto one screen with ProVisionaire Control. And, the use of ProVisionaire Control KIOSK will provide smooth and safe operation of a PA system.

Supported Devices

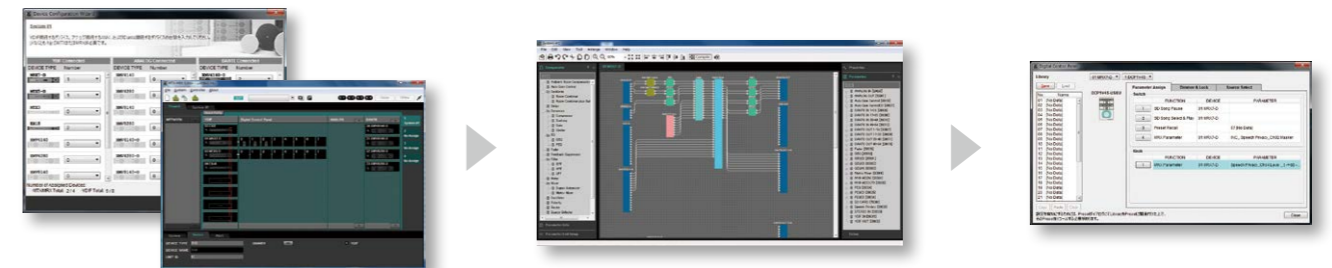
Processor	MTX3, MTX5-D, MRX7-D
Mixing console	CL1, CL3, CL5 QL1, QL5 TF1, TF3, TF5 TF-RACK
Power Amplifier	XMV4140, XMV4140-D XMV4280, XMV4280-D XMV8140, XMV8140-D XMV8280, XMV8280-D
I/O	EXi8, EXo8 Rio3224-D, Rio1608-D Tio1608-D Ri8-D, Ro8-D

MTX-MRX Editor

- Dedicated software application for MTX/MRX series system design (Windows application)
- Allows total input-to-output system design
- Efficient user interface designed to support installation workflow*
- Includes a wealth of components ideal for installation needs



Design Workflow



1. Device Layout Wizard

A wizard format makes it easy to select required devices and arrange them as required.

2. Component Configuration

Connect the required sound processing and editing functions (components) for each device by virtual "wires".

3. External Controller Setup

Set up the parameters to be controlled by external control devices.

Components list (MRX7-D)

Acoustic Echo Canceller**	Input / Output (Input, Output, SD CARD, SLOT)
Ambient Noise Compensator	Meter
Auto Gain Control	Mixer (Delay Matrix*, Dugan Automixer, Matrix Mixer)
Combiner (Room Combiner, Room Combiner plus Automixer)	Oscillator
Delay	Polarity
Dynamics (Compressor, Ducker, Gate, Limiter, Paging Ducker*)	Revolabs Control Component**
Effect*	Router
EQ (GEQ, PEQ)	Source Selector
Fader	Speaker Processor
Feedback Suppressor (Pitch Shift FBS* / Notch FBS)	Speech Privacy
Filter (HPF, LPF, BPF)	Transmitter / Receiver*

* Included in MTX-MRX Editor Version 2.2.0 and later.
** Included in MTX-MRX Editor Version 2.1.0 and later.



+Entertainment

Since Yamaha was established over 125 years ago, the company has built an enviable reputation in the development and manufacture of musical instruments, home audio, and professional audio products that have been defining influences in a variety of fields. When you need top-quality sound for a commercial space that comes with added entertainment value, Yamaha has the solutions.

YAMAHA

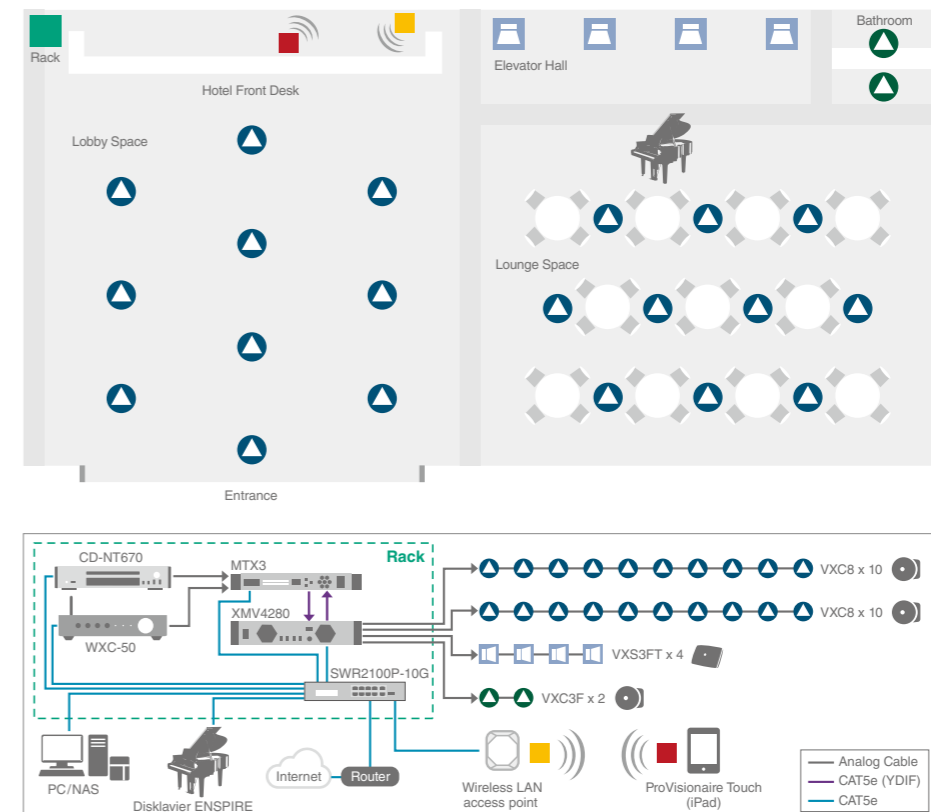


A space where BGM is interwoven with real instruments

"We'd like to be able to change moods according to the situation and time of day: a refreshing environment in the morning and a moody atmosphere at night."

In situations like this, particularly in hotels and restaurants, a system like the following might be ideal. A BGM system based around an MTX3 and XMV4280 is augmented by live piano, an instrument for which Yamaha is well known. BGM is supplied by a CD-NT670 CD player and WXC-50 wireless streaming amplifier. The piano is a Disklavier™ ENSPIRE series acoustic player piano. The ProVisionaire Touch iPad application can be used for remote wireless ON/OFF switching, volume control, and more, allowing the mood of the environment to be adjusted to suit different times of day and events.*

* ProVisionaire Touch V1.2 or higher required.

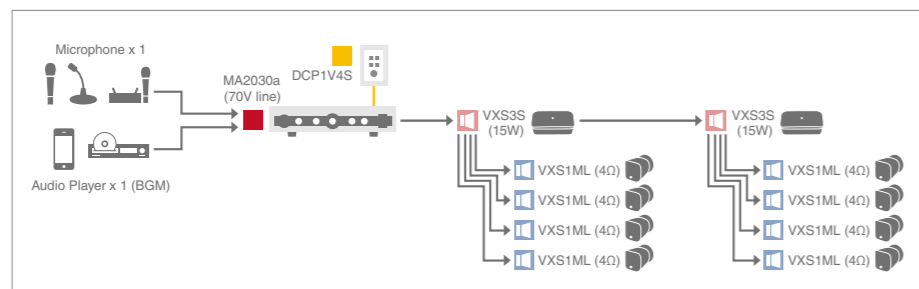
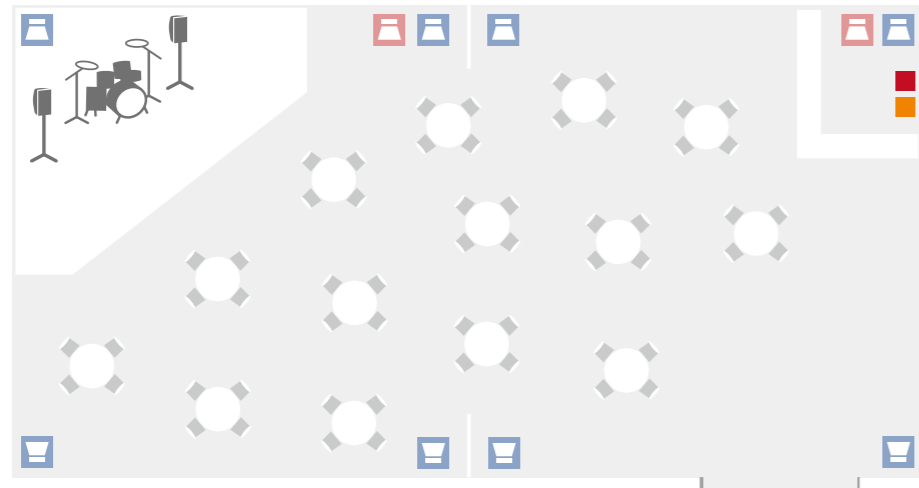




A relaxing environment that is occasionally used for entertainment

"We need a sound system that is normally used to deliver BGM, but can also support live sound for events."

Here's a system that fulfills this customer's requirements, and is recommended for bars and restaurants that occasionally host live events. To achieve optimum sound quality for both applications, Yamaha suggests using separate systems for BGM playback and live sound support. In this example BGM playback is handled by an MA2030a mixing amplifier and VXS series speakers. An extremely compact satellite speaker system consisting of VXS1ML and VXS3S units delivers astonishingly rich, dynamic sound for its size. Because the VX3S supports high-impedance connection, multiple satellite speaker systems can be connected to a single amplifier channel. Live sound support is one of Yamaha's specialties, and a great deal of that expertise is condensed into compact STAGEPAS series portable PA systems that include all the basics needed for high quality live sound: mixer, amplifier, and speakers. Follow the setup guide printed on the back of the devices, connect instruments and/or microphones, and you're ready to deliver unforgettable performances.



Uniquely Yamaha System Solutions



Portable PA Systems

Portable sound systems are a convenient choice for occasional events. The Yamaha STAGEPAS series provides ample power and performance for presentations, exhibitions, or in-store events in a lightweight, easy-to-use package.



Powered Speakers

Yamaha high-power speakers enjoy an excellent reputation in the field of live sound reinforcement. The DXR series is highly valued by professional users as well as amateurs for its outstanding performance in live performance applications.



Home Audio Systems

Yamaha home audio products include Sound Bars that deliver theater quality sound right in the user's living room, the elegant Relit series of combined audio and lighting units, and other unique home audio innovations.



Analog Mixers

The best-selling MG analog mixer series includes models that are perfect for small-scale live events and presentations. MG mixers are popular worldwide for their user-friendly design and proportions.



Digital Mixers

Yamaha has been developing and producing digital mixers for more than 25 years. Yamaha digital mixers have been and continue to be widely adopted by leading sound engineers through the world. The CL, QL, and TF series include digital consoles that deliver top-quality sound and performance for events of just about any scale. And they're a pleasure to use, too.



Musical Instruments

Yamaha is the largest general musical instrument manufacturer in the world, producing an astonishing range of products from pianos to wind instruments, guitars, drums, synthesizers, and more. Their consistently outstanding quality and reliability has earned the trust of users everywhere.

About Yamaha



Dedicated to Great Sound

Yamaha was established more than 125 years ago, and since that time the company has led musical instrument and sound innovation, acquiring extensive know-how and refined sonic sense along the way. As sound professionals we are dedicated to continue building on that background, delivering products and services that result in thoroughly satisfying sound and music environments.



Innovative Electronics

Innovative electronics for digital musical instruments as well as audio equipment is one of Yamaha's strengths. The same advanced Yamaha digital signal processing and network technologies that are highly regarded by audio professionals contribute to quick, easy design and management of commercial sound environments as well.



Industry Leading Quality Control

ISO 9001 or equivalent quality management is maintained at all Yamaha manufacturing facilities. Quality control is a priority for every product we make. We are dedicated to delivering products that are easy to use while offering long-term reliability and safety that truly meet our customers' needs.



Comprehensive Sales Network

Yamaha has more than 30 branch offices around the world, providing the same level of sales, service, and support for affiliates and customers everywhere.*

* Availability of some products may vary according to region. Contact your nearest Yamaha representative for details.



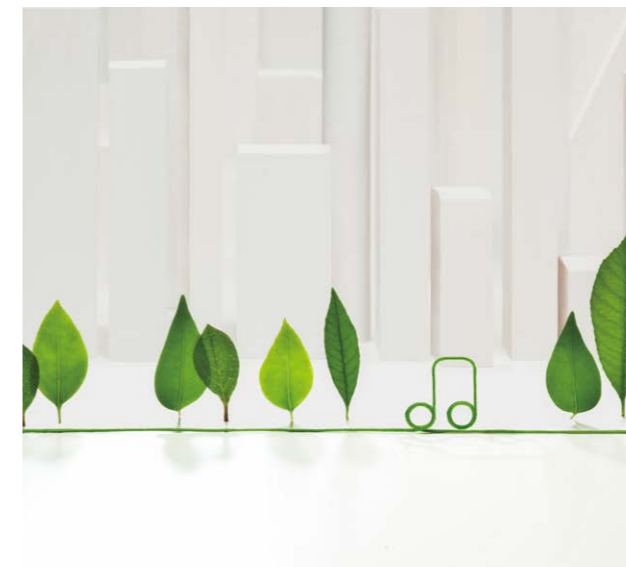
Experience and Imagination

Yamaha offers an impressively wide range of products, from world-renowned pianos and other musical instruments to home and professional audio equipment. The experience gained in all of those fields goes into our Commercial Installation Solutions products as well, resulting in unique solutions for high-quality sonic environments.



Beautiful, Practical Design

The visual designs for Yamaha products are created at our in-house Product Design Laboratory, adhering to the basic concept of unobtrusive functional beauty. The many prestigious international design awards we have been honored to receive attest to the success of this approach. It is our goal to offer the most pleasing environments possible, both sonically and visually.



Environmental Management

Yamaha operations comply with ISO 14001 standards for responsible environmental management. We are dedicated to employing sustainable resources and reducing the energy consumption of our technology and products to reduce the overall burden on the environment. Responsible environmental management directly benefits our customers as well as society at large.



Contributing to a Better Society

Yamaha's corporate slogan of "Sharing Passion and Performance" is applied not only in our products, but in our acoustic design consulting services for distinguished halls and music education activities as well. We believe that by creating opportunities for more people to enjoy sound and music we are contributing to a better, culturally richer society as well.