



MONET 150 mm.
6'' Fresnel



Mod. 201.120



FEATURES

Physical:

- Octagonal-shaped lightweight stainless steel construction
- Double wall & internal baffles for efficient ventilation
- Coated with a high temperature heat resistant powder coat black epoxy paint finish
- Supplied with stainless steel wireguard
- Hinged lens door with wire guard for easy relamping including accessory clips which can be positioned to suit various applications Top Locking safety bracket for barndoor & colorframe
- Capable of being disassemble with a screwdriver for easy replacement of parts & maintenance
- Flat steel yoke with M12 hole for C-clamp Clutch activated T-handle for secure, single hand operation
- UL Listed

Electrical:

- 115-240V, 50/60Hz
- 16/3 SO 90° type cable
- Six foot (6') standard lead

Lamp:

- 1000w Maximum
- Capable of interchanging a 500w, 750w or 1000w lamp
- P28s medium pre-focus base for long life tungsten halogen lamps
- Medium bi-pin base HPL lamps
- Socket assembly interchangeable to house all listed lamp types (see table for suitable lamps)

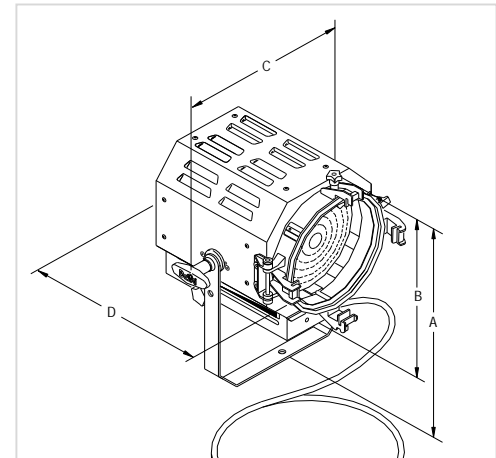
Optical/Focus Mechanism:

- 6" (150mm) shock resistant borosilicate glass fresnel lens
- Special bi-metallic clad aluminium reflector for high degree of reflectivity and thermal resistance for long life
- Focusable from side, includes spot to flood indicator
- Slide focus mechanism with locking knob which guides Teflon bushings along a brass guide rail that is chrome plated to ensure smooth operation
- Teflon bushings provide a wiping action which cleans the chrome plated brass guide rail during focusing

PHOTOMETRIC DATA

PHOTOMETRIC DATA MONET 6" WITH HPL 750 W LAMP									
Values measured with: HPL 750 W Lamp – 230 V, 150 mm. F. Fresnel Lens (measured color temperature 2900°K)									
		FEET				METERS			
TYPICAL DISTANCES		10'	20'	30'	40'	3,0	6,0	9,0	12
LIGHT CENTER VALUES	Candle Power	Footcandles				Lux			
	SPOT	66.019	660	165	73	41	7.335	1.834	815
FLOOD	7.569	76	19	8	5	841	210	93	53
BEAM ANGLE (50% of center value)		F.C. AT ANY DISTANCE = Candle Power : (distance in ft) ²				LUX. AT ANY DISTANCE = Candle Power : (distance in ft) ²			
		BEAM DIAMETER (W x H in feet)				BEAM DIAMETER (W x H in meters)			
SPOT	8,0°	1.4'	2.8'	4.2'	5.6'	0,4 mt	0,8 mt	1,3 mt	1,7 mt
FLOOD	56,0°	10.6'	21.3'	31.9'	42.5'	3,2 mt	6,4 mt	9,6 mt	12,8 mt
FIELD ANGLE (10% of center value)		BEAM DIAMETER (W x H in feet)				BEAM DIAMETER (W x H in meters)			
SPOT	16,0°	2.8'	5.6'	8.4'	11.2'	0,8 mt	1,7 mt	2,5 mt	3,4 mt
FLOOD	64,0°	12.5'	25.0'	37.5'	50.0'	3,7 mt	7,5 mt	11,2 mt	15,0 mt

PHOTOMETRIC DATA MONET 6'' WITH HPL 1000 W LAMP									
Values measured with CP40 – 6995Z LAMP: 1KW – G22 – 63,5 MM. LCL -230 V – 3200°K – 150 MM. F. Fresnel Lens									
		FEET				METERS			
TYPICAL DISTANCES		10'	20'	30'	40'	3,0	6,0	9,0	12
LIGHT CENTER VALUES		Footcandles				Lux			
SPOT	128.574	1.286	321	143	80	14.286	3.572	1.587	893
FLOOD	11.952	120	30	13	7	1.328	332	148	83
BEAM ANGLE (50% of center value) W/O ACCESSORIES		F.C. AT ANY DISTANCE = Candle Power : (distance in ft) ²				LUX. AT ANY DISTANCE = Candle Power : (distance in ft) ²			
		BEAM DIAMETER (W x H in feet)				BEAM DIAMETER (W x H in meters)			
SPOT	7,5°	1.3'	2.6'	3.9'	5.2'	0,4 mt	0,8 mt	1,2 mt	1,6 mt
FLOOD	54,5°	10.3'	20.6'	30.8'	41.1'	3,1 mt	6,2 mt	9,3 mt	12,3 mt
FIELD ANGLE (10% of center value)		BEAM DIAMETER (W x H in feet)				BEAM DIAMETER (W x H in meters)			
SPOT	16,5°	2.9'	5.8'	8.7'	11.6'	0,9 mt	1,7 mt	2,6 mt	3,5 mt
FLOOD	62,0°	12.0'	24.0'	36.1'	48.1'	3,6 mt	7,2 mt	10,8 mt	14,4 mt



VERSIONS – MODEL NUMBERS & USABLE LAMPS

Monet G22 (lamp L.C.L. 63,5 mm.)
210.120

Monet 1kW Theatre M.O. G 22 (lamp LCL 63,5 mm)

Frsnel Spotlight including:

- **Lens door with diagonally** mounted ears
- 150mm. Fresnel lens
- 1 m. power cable without switch
- **G 22 lamp holder** lever lock type (for 63,5 mm. LCL Tungsten Halogen Lamps)
- M.O. stirrup with 10 mm. hole diameter
- Sliding focus mechanism with fixing knob
- Without accessories

Suggested Lamps G 22 – 63,5 mm. L.C.L.

6995 Z	Lamp 1000w Tungsten-Halogen Bipost, G 22, 230V, 3200°K, 240 hours, 63,5mm. L.C.L.
6995 Z (EGT)	Lamp 1000w Tungsten-Halogen Bipost, G 22, 120V, 3200°K, 240 hours, 63,5mm., L.C.L.
64.747	Lamp 1000w Tungsten-Halogen Bipost, G 22, 230V, 3200°K, 200 hours, 63,5mm., L.C.L.
64.754	Lamp 1200w Tungsten-Halogen Bipost, G 22, 230V, 3200°K, 120 hours, 63,5mm., L.C.L.
6993 Z	Lamp 650w Tungsten-Halogen Bipost, G 22, 230V, 3200°K, 120 hours, 63,5mm. L.C.L.
64.721	Lamp 650w Tungsten-Halogen Bipost, G 22, 230V, 3200°K, 100 hours, 63,5mm., L.C.L.

Monet GX 9,5 (lamp L.C.L 55mm.)
210.140

MONET 1KW Theatre M.O. GX 9,5 (lamp L.C.L. 55 mm.)

Fresnel Spotlight including:

- **Lens door with diagonally mounted ears**
- 150mm. Fresnel lens
- 1 m. power cable without switch
- **GX 9,5 lamp holder** (for 55mm. L.C.L.
- Tungsten Halogen Lamps)
- M.O. stirrup with 10mm. hole diameter
- Sliding focus mechanism with fixing knob
- Without accessories

Suggested Lamps GX 9,5 –55mm. L.C.L.

6996 P	Lamp 1000w Tungsten-Halogen Bipost, GX 9,5, 230V, 3050°K, 900 hours, 55mm. L.C.L.
6995 P	Lamp 1000w Tungsten-Halogen Bipost, GX 9,5, 230V, 3050°K, 240 hours, 55mm. L.C.L.
64.745	Lamp 1000w Tungsten-Halogen Bipost, GX 9,5, 230V, 3200°K, 200 hours, 55mm. L.C.L.
64.744	Lamp 1000w Tungsten-Halogen Bipost, GX 9,5, 230V, 3200°K, 750 hours, 55mm. L.C.L.
6998 P	Lamp 650w Tungsten-Halogen Bipost, GX 9,5, 230V, 3000°K, 900 hours, 55mm. L.C.L.
64.719	Lamp 650w Tungsten-Halogen Bipost, GX 9,5, 230V, 3000°K, 750 hours, 55mm. L.C.L.
6993 P	Lamp 650w Tungsten-Halogen Bipost, GX 9,5, 230V, 3200°K, 120 hours, 55mm. L.C.L.
64.720	Lamp 650w Tungsten-Halogen Bipost, GX 9,5, 230V, 3200°K, 100 hours, 55mm. L.C.L.

Monet HPL (lamp L.C.L. 60,3mm.)
210.160

MONET 750kW Theatre M.O. HPL 9,5 (lamp L.C.L. 60,3mm.)

Fresnel Spotlight including:

- **Lens door with diagonally mounted ears**
- 150mm. Fresnel lens
- 1 m. power cable without switch
- **HPL lamp holder** (for 60,3mm. L.C.L. Tungsten Halogen Lamps)
- M.O. stirrup with 10mm. hole diameter

- Sliding focus mechanism with fixing knob
- Without accessories

Suggested Lamps HPL 63,5 mm. L.C.L

HPL 750	Lamp 750w Tungsten-Halogen Bipost, 2pin, 230V, 3200°K, 300 hours, 60,3mm. L.C.L.
93729	Lamp 750w Tungsten-Halogen Bipost, 2pin, 230V, 3200°K, 300 hours, 60,3mm. L.C.L.
HPL 575	Lamp 750w Tungsten-Halogen Bipost, 2pin, 230V, 3200°K, 300 hours, 60,3mm. L.C.L.
HPL 575 LONG LIFE	Lamp 750w Tungsten-Halogen Bipost, 2pin, 230V, 3200°K, 300 hours, 60,3mm. L.C.L.
93728	Lamp 750w Tungsten-Halogen Bipost, 2pin, 230V, 3200°K, 300 hours, 60,3mm. L.C.L.

OPTIONAL & ACCESSORIES



315.300	Stainless Steel wire guard
316.100	Four leaf rotating barndoor
316.200	Eight way rotating barndoor
317.100	Colour frame
318.100	Cone with two discs (with front aperture diameter: 105 mm. 80 mm. 55 mm.)
319.100	Set of scrim - Stainless steel
319.101	Full single scrim - Stainless steel
319.102	Full double scrim - Stainless steel
319.103	1/2 single scrim - Stainless steel
319.104	1/2 double scrim - Stainless steel
319.250	180° Bottom Light spill protection