

UNIQUE 2.1

The silent hazer.

Manufactured for
Look Solutions - Fog machines made in Germany



minimal warm up time

variable output

minimal noise

made in Germany

The haze generator **Unique 2.1** offers – among the features that already characterised the Unique 2 – an even more silent working.

The sound could be absorbed tremendously. Thus, the machine can be used in fields of operation where any sound is undesirable and disturbing.

Due to the efficient fan, the haze can be distributed in the room quickly. A replaceable filter protects the fan against dirt.

With its variable output – whereas the haze density and also the output can be varied – the machine can be used in many fields:

Any desired effect – from the finest mist to a thick haze, similar to fog – can be achieved. Therefore the machine is able to fill small and big rooms or stages with a constant haze, creating the right atmosphere and excellently supporting lighting effects.

Features

• Minimal warm up time

The very short warm up time of the **Unique 2.1** is ready for operation almost immediately. A continuous output is guaranteed by the fact that the machine does not have to warm up during operation.

• Variable output

Pump and fan can be adjusted separately in 99 steps. Thus, the user is able to adjust the density of the haze and also the output exactly. A non-linear pump regulation make sure that the pump can be adjusted much better at the lower steps.

• Minimal noise

Due to the fact that the pump and the fan can be dampened, the sound of the **Unique 2.1** can be absorbed tremendously. The machine can be used in fields of operation where any sound is undesirable.

• DMX 512 as standard

The **Unique 2.1** can be controlled via *DMX 512*. Pump and fan can be adjusted separately. The connection is done with 5pin-XLR plugs using two following channels at the desk.

The DMX start address will be adjusted and saved with the buttons at the display. It will remain saved even if the machine is disconnected from the mains supply.

The machine can also be controlled *analog (0 - 10V)* via a lighting desk or cable remote (option). The fan will be adjusted directly at the machine, the pump can be adjusted via the analog desk or remote. The connections are done with 3pin-XLR plugs.

A *stand alone running* is also possible. The adjustments of the pump and the fan are done directly at the machine. The haze process is started by pressing the activate button once.

• Internal Timer

With the internal timer the haze time can be exactly adjusted in seconds, the wait time in minutes and the output in percentage. Once started, the programm runs until the timer will be deactivated.

• Haze-Density Control System (HDCS)

With the HDCS an individual profile for a Show can be programmed. Two levels with the required pump and fan values along with a haze time can be adjusted. Additionally a pre-runtime can be programmed.

• LED display

The control of the pump and the fan, the adjusting of the DMX start address and also the adjusting of the timer and the HDCS is achieved with buttons. The adjusted data can be read at the LED display.

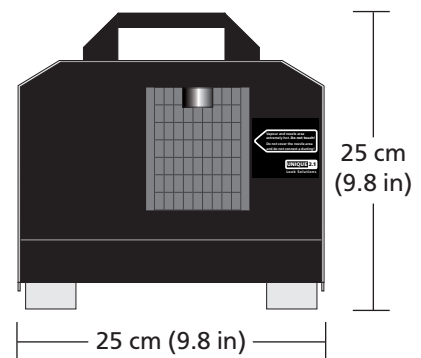
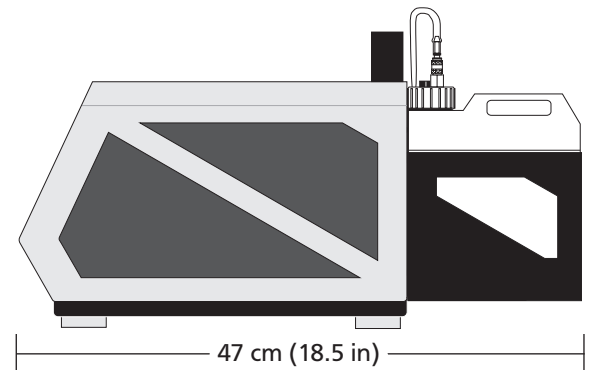
• Minimal fluid consumption

A special fluid guarantees minimal fluid consumption, low running costs and an optimal effect. One 2 litre can ensure a continuous output for up to 50 hours.

Specifications

Procedure	Haze machine without compressor
Power requirement	1500 Watt
Voltage	230 V/50 Hz; 120 V/60 Hz; 90 V/60 Hz
Warm up time	60 seconds
Haze output	adjustable in 99 steps
Fluid tank capacity/ Fluid consumption	2 litre (67.6 oz) for up to 50 hours cont. output
Haze time	continuous output
Internal fan	≤ 6000 l/min.
Temperature control	Microprocessor controlled
Overheating protection	Heater with thermostate Pump with temperature switch
Control	DMX 512 0-10 V analog Stand alone Internal timer Radio remote (option)
Dimensions (L x B x H)	47 x 25 x 25 cm (18.5 x 9.8 x 9.8 in)
Weight w/o canister	8.7 kg (19.1 lb)

Dimensions



Advantages

- Minimal warm up time of only 60 seconds
- Minimal noise
- Pump and fan can be adjusted separately, therefore any desired effect can be achieved
- Internal, powerful fan ensures quick and homogen distribution of the haze
- DMX 512 as standard, analog (0 - 10 V) and Stand-alone-Mode
- Internal timer
- Haze-Density Control System (HDCS)
- Control of the pump, the fan and the adjusting of the DMX start address is achieved with buttons
- Minimal fluid consumption (2l-canister guarantees up to 50 hours continuous output)
- Made in Germany

Accessories

- XLR remote for analog control
- Diverter to divert the direction of the output
- Hanging set (Hanging yoke complete with collection tray)
- Flightcase

Service

Based on the strong partnership with our german manufacturer, Look Solutions is able to provide a quick and easy service which ensures the high quality of all products.